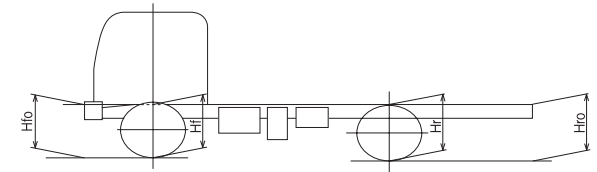
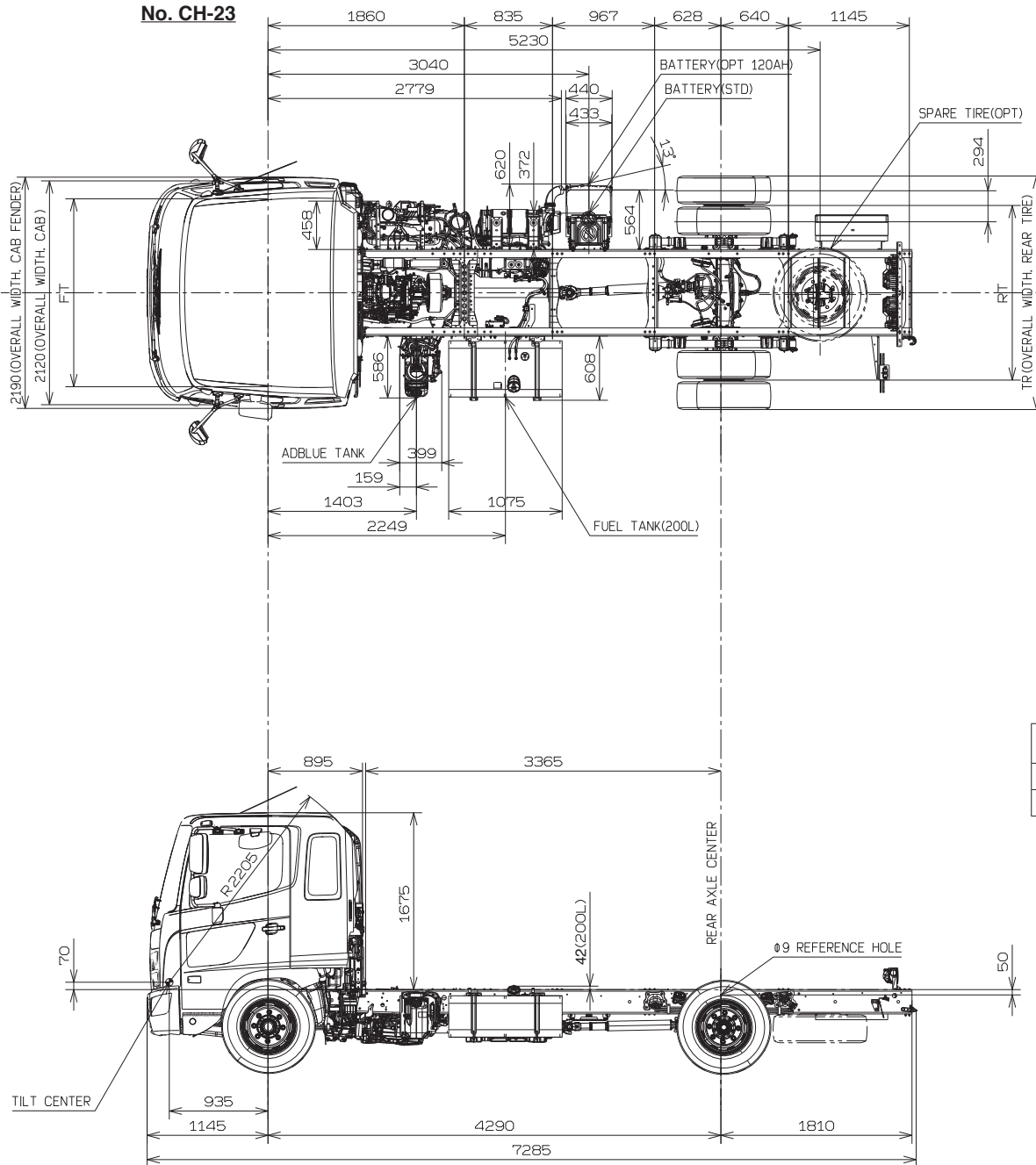
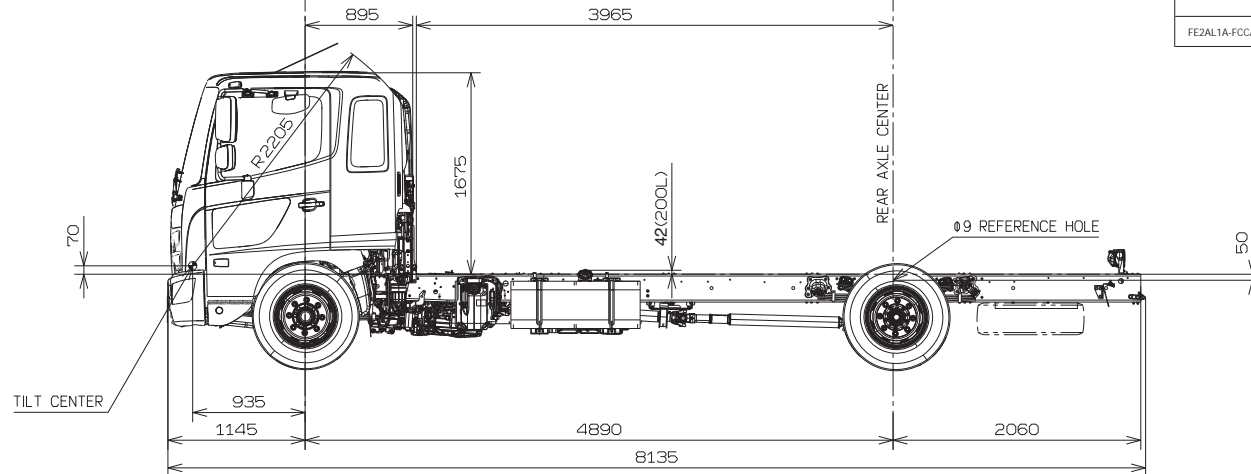
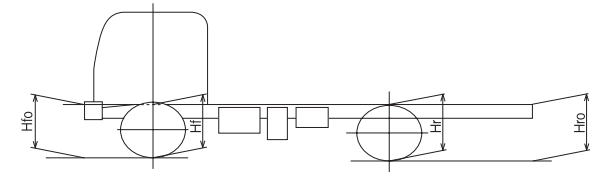
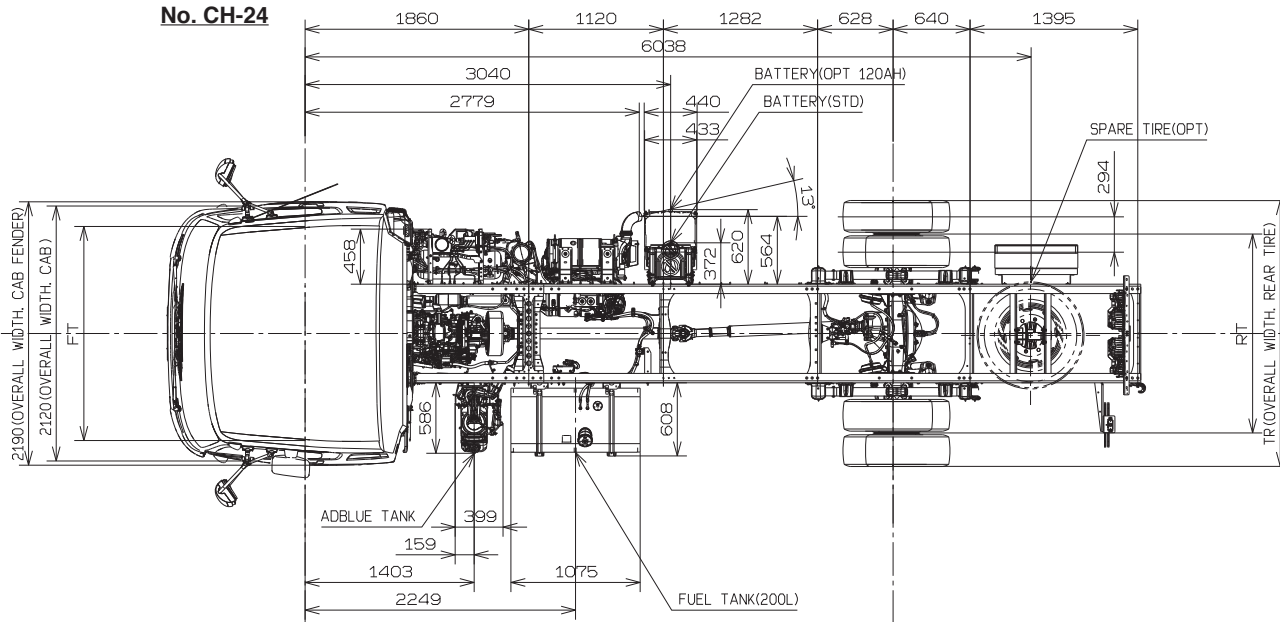


Unit : mm



MODEL	TIRE	WHEEL	GROUND HEIGHT, FRAME UPPER SURFACE				FT	RT	TR
			H10	H1	H2	H3			
FE2AJ1A-FCCAE	265/70R19.5 143/141J	19.5X6.75-147	800	825	925	965	1760	1690	2240
		19.5X6.75-147 ALLOY	800	825	925	965	1775	1710	2240
		19.5X6.75-147	800	825	925	965	1760	1690	2240
FE2AJ1A-FXCAE	265/70R19.5 143/141J	19.5X6.75-147	800	825	925	965	1775	1710	2240
		19.5X6.75-147 ALLOY	800	825	925	965	1775	1710	2240

Unit : mm



MODEL	TIRE	WHEEL	GROUND HEIGHT, FRAME UPPER SURFACE				FT	RT	TR
			H10	H1	H2	H3			
FE2AL1A-FCCAE	265/70R19.5 143/141J	19.5X6.75-147	800	820	925	965	1760	1690	2240
		19.5X6.75-147 ALLOY	800	820	925	965	1775	1710	2260