



# 500 SERIES

## FE 1426 MT SPRING 4290 TIPPER



\*Overseas model pictured.  
May contain items not standard to the NZ model.

Japan 2016 Emission Levels  
(pPNLT, Euro 6 Equivalent)

4 x 2 Tipper

### KEY FEATURES

- |   |  |
|---|--|
| ✓ Vehicle Stability Control (VSC)<br>– incl. ABS & TC | ✓ Euro 6 Equivalent Emissions          |
| ✓ Pre-Collision System (PCS)                          | ✓ Lane Departure Warning System (LDWS) |
| ✓ SRS Airbag System (Driver)                          | ✓ ECE-R29 Cab Strength Certified       |
| ✓ Engine Retarder Brake (Jake Brake)                  | ✓ Adaptive Cruise Control (ACC)        |

### KEY SPECIFICATIONS

GVM	14,000 or 12,000kg
GCM	21,000kg
Power	260hp / 191kW
Torque	882Nm
Transmission	7 Speed Manual
Wheelbase	4.29m
Tipper Body Length	4.4m

# HINO 500 SERIES - FE 1426 MT SPRING 4290 TIPPER

## ENGINE

Model	HINO A05C-TC
Max. Output (ISO NET)	260hp / 191kW @ 2,300 RPM
Max. Torque (ISO NET)	882Nm @ 1,400 RPM
Max. Engine RPM	2,550 RPM
Engine Compliance	ADR 80/03 using Japan 2016 pPNLT (Euro 6 Equivalent Emissions)
Type	Diesel, twin turbocharged and intercooled 4 cylinder with overhead camshaft
Combustion System	Direct injection with EGR
Bore & Stroke	112 x 130mm
Piston Displacement	5.123L
Compression Ratio	17.5:1
Fuel Injection	Electronic control common rail
Air Compressor / Bore & Stroke	Single cylinder / 70 x 40mm
Air Cleaner	Dual paper elements
Exhaust	Horizontal outlet RHS
Emission Control System	DPR & SCR (AdBlue®)
Engine Immobiliser	Equipped

## PERFORMANCE

Calculations based on 14,000kg GVM with 265/70R19.5 tyres

Engine RPM @ 100km/h	1,971
Max. Theoretical Speed (km/h)	129
Gradeability Tan (%) @ GVM	56.7
Speed Limiter to (km/h)	100

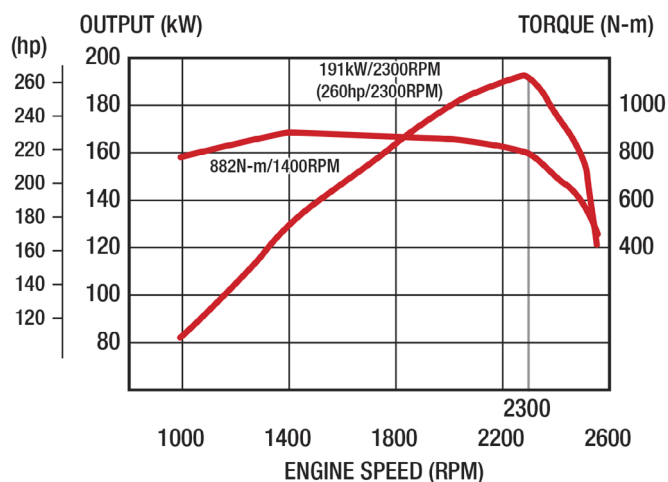
## BRAKES

Type	Drum brakes front and rear	
Control	Air Over Hydraulic (AOH), dual circuit with ABS	
Drum Diameter x Lining Width	Front	370 x 120mm
	Rear	370 x 150mm
Air Drier	Equipped	
Vehicle Stability Control (VSC)	Equipped	
Pre-Collision System (PCS)	Equipped	
Anti-Lock Brake System (ABS)	Equipped	
Traction Control (TC)	Equipped	
Easy Start Hill Assist (ES)	Equipped	
Park Brake	Spring brake acting on rear wheels	
Exhaust & Engine Brake (Jake Brake)	Equipped	
Easy Start Hill Assist (ES)	Equipped	

## ELECTRICAL

Type	24V negative earth
Batteries	2 x 12V 120Ah (115F51)
Alternator Capacity	24V x 90A
Starter Type	24V x 4.5kW
Headlamps	LED main beam with LED daytime running lamps
LED Cornering / Fog Lamps	Equipped
LED Interior & Reading Lamp	Equipped
Electric Air Horn	Equipped

## POWER & TORQUE CHART (ISO NET) A05C-TC



## TRANSMISSION & GEAR RATIOS

Make & Description	Hino MX07, 7 Speed Synchronesh with Cable Shift	
Type	Manual with Overdrive	
Gear Ratios	1	6.515
	2	4.224
	3	2.441
	4	1.473
	5	1.000
	6	0.746
	7	0.578
Reverse	6.991	
Rear Axle Ratio	5.428	
PTO Option / Torque Capacity	Single / 235Nm	

## CLUTCH

Model	CSP-380
Type	Dry single plate
Clutch Plate	380mm Organic
Control	Hydraulic with air booster

## FUEL TANK & SUPPLY

Material	Steel
Fuel Capacity	200L
Lockable Fuel Cap	Equipped
Prefilter & Sedimenter	Equipped
AdBlue® Capacity	19L

## STEERING

Type	Telescopic tilt steering column, recirculating ball, integral power steering	
Gear Ratio	19.0:1	
Steering Angles	Inside – 45°	Outside – 35°

# HINO 500 SERIES - FE 1426 MT SPRING 4290 TIPPER

## SAFETY FEATURES

Active Safety Features	
Vehicle Stability Control (VSC)	Equipped
Anti-Lock Brake System (ABS)	Equipped
Pre-Collision System (PCS)	Equipped
PCS is inclusive of	Safety Eye (SE) Autonomous Emergency Braking (AEB) Pedestrian Detection (PD)
Traction Control (TC)	Equipped
Lane Departure Warning System (LDWS)	Equipped
Staggering Warning (SW)	Equipped
Adaptive Cruise Control (ACC)	Equipped
Reverse Camera (RC)	Equipped
Easy Start Hill Assist (ES)	Equipped
Passive Safety Features	
SRS Airbag	Equipped (for driver)
SRS Seat Belt Pretensioner	Equipped (for driver)
Front Underrun Protection Device (FUPD)	Equipped
ECE-R29 Cab Strength Certified	Equipped

## AXLE, SUSPENSION & LOAD LIMITS

Front	Front Axle Model	LF 451	
	Front Axle Type	Reversed Elliot I Section Beam	
	Front Suspension Type	Taper leaf springs with shock absorbers and stabiliser	
	Spring Dimensions	1,300 x 70mm	
	Axle Limit (incl. Suspension)	5,000kg	
	Tyre Limit	5,000kg	
Rear	Rear Axle Model	SH14	
	Rear Axle Type	Fully floating, single reduction by hypoid gears	
	Rear Suspension Type	Taper leaf main and auxiliary with shock absorbers	
	Suspension Dimensions	Main	Auxiliary
		Length x Width (mm)	1,300 x 70mm
	Number	4	5
	Spring Rate (kgf/mm <sup>2</sup> )	29	104
	Axle Limit (incl. Suspension)	9,000kg	
	Tyre Limit	9,400kg	

## CHASSIS FRAME

Main Section (depth x flange x thickness)	231 x 78 x 6.5mm
Chassis Width	820mm
Tensile Strength	540 N/mm <sup>2</sup> (55 kgf/mm <sup>2</sup> )
Tow Hook (Front & Rear)	2,000 kgf (max angle of 15°)
Type	Ladder-shaped channel section side rails

## CAB DETAILS

Type	Forward control, rest cab, all steel construction with electro hydraulic power tilt mechanism
Grille Colour	Chrome plate
Seating Capacity	3
Driver's Seat	ISRI 6860 NTS2 air suspension, 10 way adjustable with integrated safety belt and rear pocket
Side Passenger Seat	High back and reclining seat
Centre Seat	Foldaway type with integrated tray
Seat Belts	3 point lap sash for driver and side passenger, 2 point lap for centre position
Sunvisor & Overhead Console	Equipped (for driver and side passenger)
Windscreen Wipers	2 arm wiper and washers, 2 speed with intermittent
Cab Heater & Air Conditioner	Equipped with 4 speed fan
Auxiliary Power Supply	12V x 120W socket and USB 2.1A
Rear-View Mirrors	<b>External:</b> Electric and heated, 2 flat type, 2 convex spotters and kerb view
Floor Covering	Vinyl type
Central Locking & Keyless Entry	Equipped with immobiliser
Cab Storage Pockets	Equipped in both side doors
Power Windows	Equipped
Foot Rest	Equipped
Cup Holders	3 centre and 2 door beverage holders
Multimedia System	6.5" LCD, HD touch screen display with DAB+ AM/FM radio, AUX input, Bluetooth® 4.1, Android 6.0, CAN bus connected, and Wi-Fi enabled

## INSTRUMENTATION

LCD Display	Meters & Gauges
✓ Date, Day, & Time	✓ Speedometer
✓ Temperature Gauge	✓ Tachometer
✓ Fuel & AdBlue® Gauges	✓ Air Gauges
✓ Odometer & Hour Meter	Additional Switches & Controls
Multi Information Display (MID)	✓ External Flat Mirror Control
✓ General Information	✓ VSC, PCS, & LDWS Off
✓ Cruise Control	✓ Idle Up & Quick Warm Up
✓ Eco Tree	✓ Mirror Heater
✓ Display Setting	✓ Engine Brake
✓ Safe Driving Settings	✓ DPR Regeneration
✓ System Check	✓ Electric Window Lock Out
Steering Wheel & Column Controls	✓ Headlight Leveller
✓ Cruise Control	✓ Hazard Lights
✓ MID Controls	✓ ES Start Control
✓ Headlights & Indicators	✓ ECO Run
✓ Window Wiper Controls	✓ Tipper Control Lever

## WHEELS & TYRES

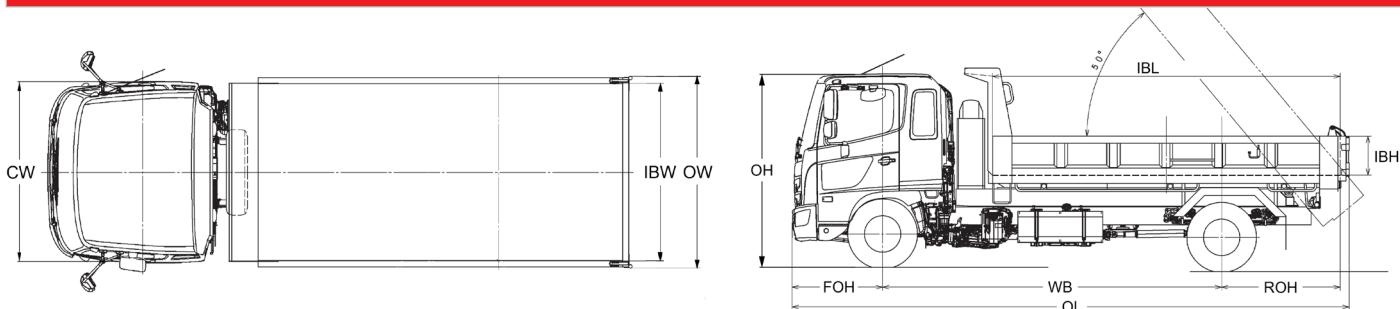
Wheel Type	8 stud disc wheel (ISO type) PCD 275
Rim Size	6.75" x 19.5" / 147mm offset
Tyre Size	265/70R19.5 140/138
Number of Tyres	7 incl. spare
Spare Tyre Carrier	Equipped

# HINO 500 SERIES - FE 1426 MT SPRING 4290 TIPPER

## DIMENSIONS (MM)

Model	FE2AJ1A-FCCAE TP4.4
Product Code	FE 1426 MT SPRING 4290 MY21 Tipper4.4
Suspension	Leaf Spring
Wheelbase (WB)	4,290
Overall Length (OL)	7,040
Overall Width (OW)	2,350
Overall Height (OH)	2,500
Front Overhang (FOH)	1,145
Rear Overhang (ROH)	1,485
Rear Chassis Height (RCH) – at axle	925
Front Track (FT)	1,760
Rear Track (RT)	1,690
Kerb to Kerb	15,000
Wall to Wall	16,400
Inside Body Length (IBL)	4,400
Inside Body Width (IBW)	2,140
Inside Body Height (IBH)	490
Deck Height (DH)	1,310
Cab to Body (CB)	400
Tipper Volume	4.6m <sup>3</sup>
Tipping Angle (TA)	50°
Indicative Chassis Mass (kg) – with 10L of fuel, no tools or spare tyre, and subject to a ±3% tolerance	
Total	6,230
GVM	14,000 or 12,000
GCM	21,000

## CHASSIS DRAWINGS (PLEASE REFER TO DIMENSIONS TABLE ABOVE)



Drawings are for reference only to the table. For specific chassis layouts and dimensions, please refer to Body Mounting Manual drawings.

## WARRANTY (PLEASE REFER TO HDL WARRANTY CONDITIONS)

Standard Warranty	Engine & Powerlines
24 months or 100,000kms (whichever comes first)	36 months or 150,000kms (whichever comes first)

## DISCLAIMER

Hino Trucks are distributed in New Zealand by Hino Distributors (NZ) Ltd.

All efforts have been made to ensure the information contained in this brochure was correct at time of printing or uploading. Hino Distributors (NZ) Ltd reserves the right to alter any details of the specifications and equipment without notice. Hino in so far as it is permitted by law to do so, shall not be liable in any way as a result of any reliance placed by any person on anything contained in this brochure. You should therefore check with your authorised Hino dealer at the time of ordering your motor vehicle to ensure that colour, specifications, equipment, design features and options are available for the vehicle you are ordering. Please note that some options may only be available in combination with others. Authorised Hino dealers will on request provide up to date information on all accessories, design features, prices and availability.