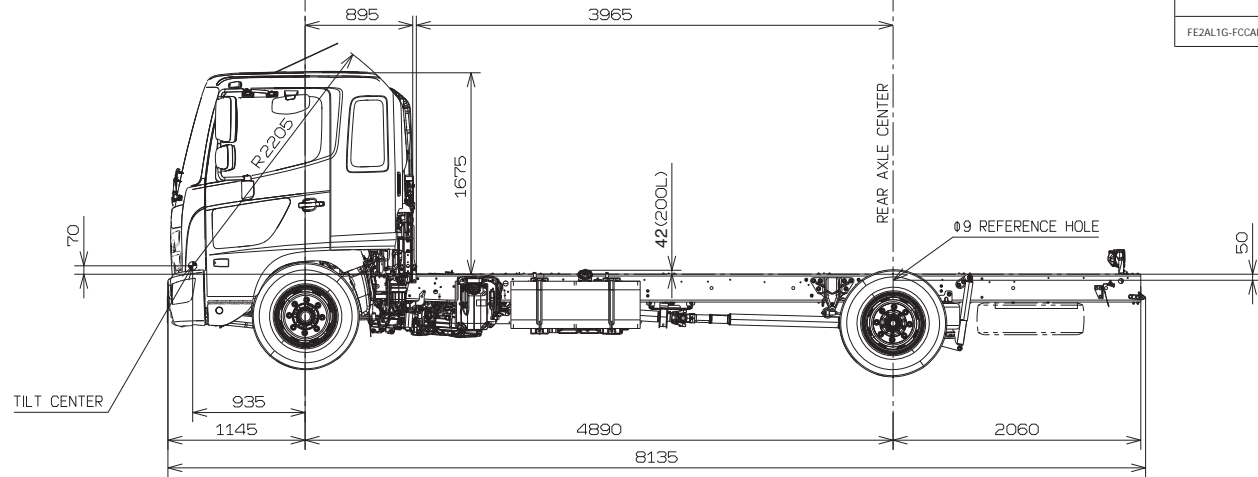
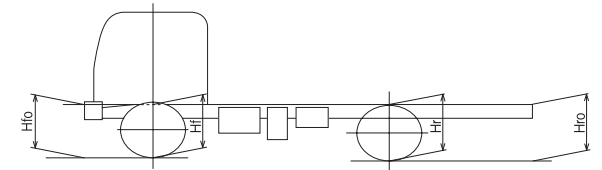
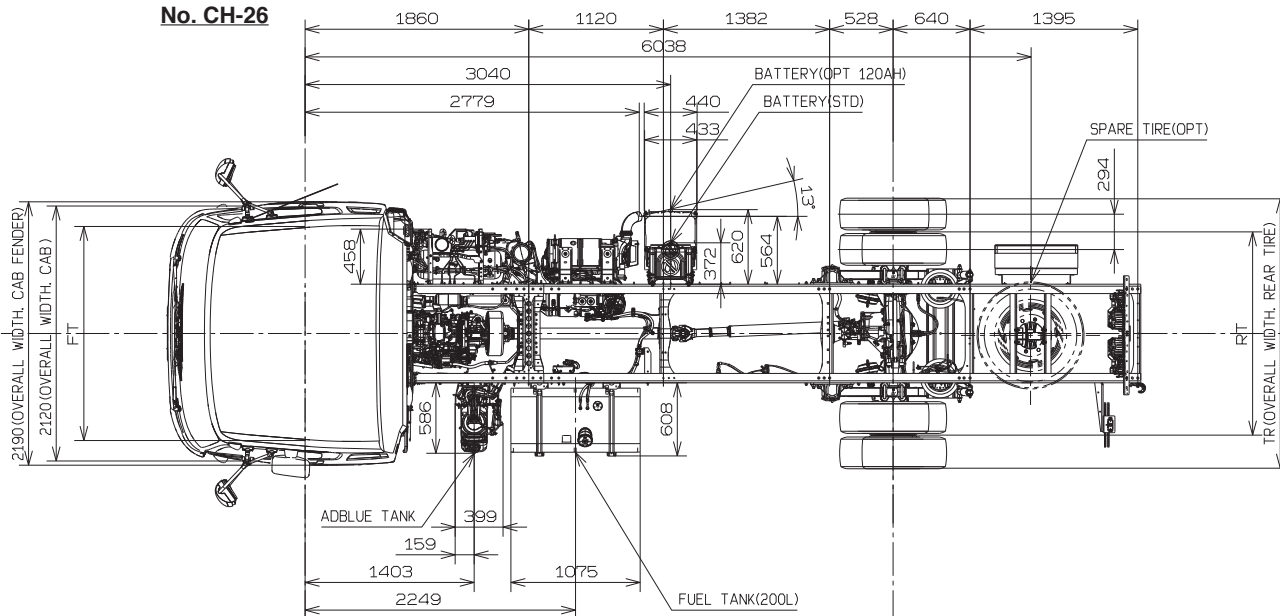
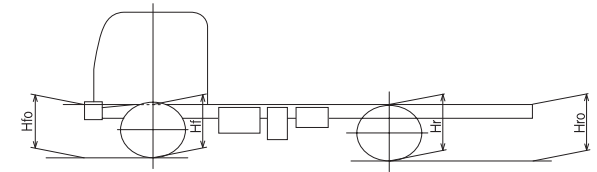
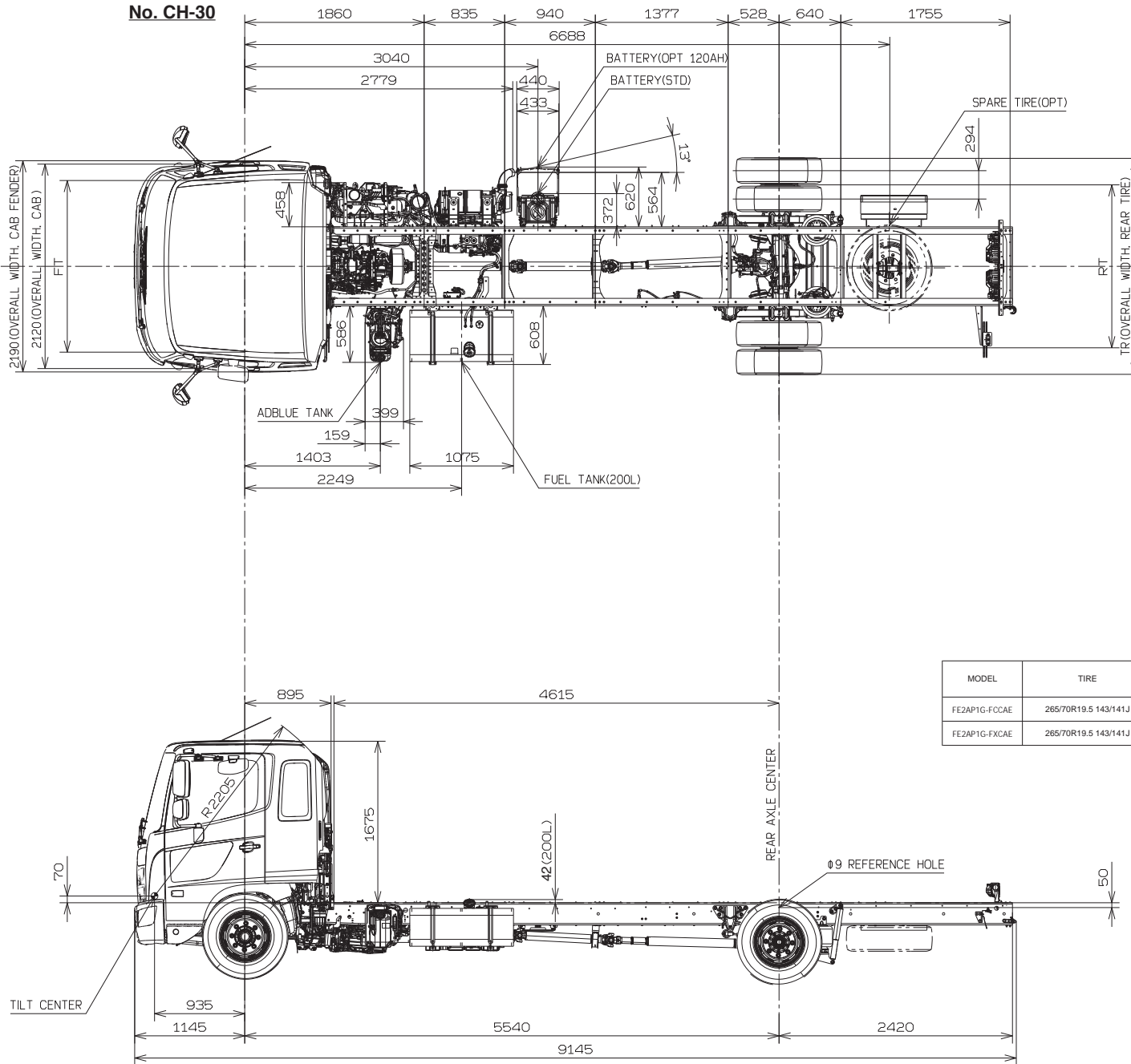


Unit : mm



MODEL	TIRE	WHEEL	GROUND HEIGHT, FRAME UPPER SURFACE				FT	RT	TR
			H10	H1	H1	H10			
FE2AL1G-FCCAE	265/70R19.5 143/141J	19.5X6.75-147	815	820	840	850	1760	1690	2240
		19.5X6.75-147 ALLOY	815	820	840	850	1775	1710	2260

Unit : mm



MODEL	TIRE	WHEEL	GROUND HEIGHT, FRAME UPPER SURFACE			FT	RT	TR	
			H10	H1	H				
FE2AP1G-FCCAE	265/70R19.5 143/141J	19.5X6.75-147	815	820	840	850	1760	1690	2240
		19.5X6.75-147 ALLOY	815	820	840	850	1775	1710	2260
		19.5X6.75-147	815	820	840	850	1760	1690	2240
FE2AP1G-FXCAE	265/70R19.5 143/141J	19.5X6.75-147	815	820	840	850	1760	1690	2240
		19.5X6.75-147 ALLOY	815	820	840	850	1775	1710	2260