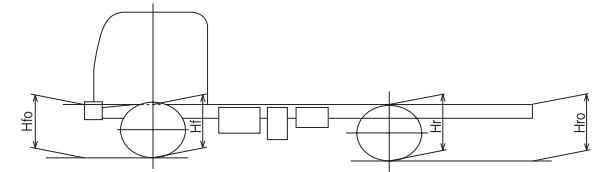
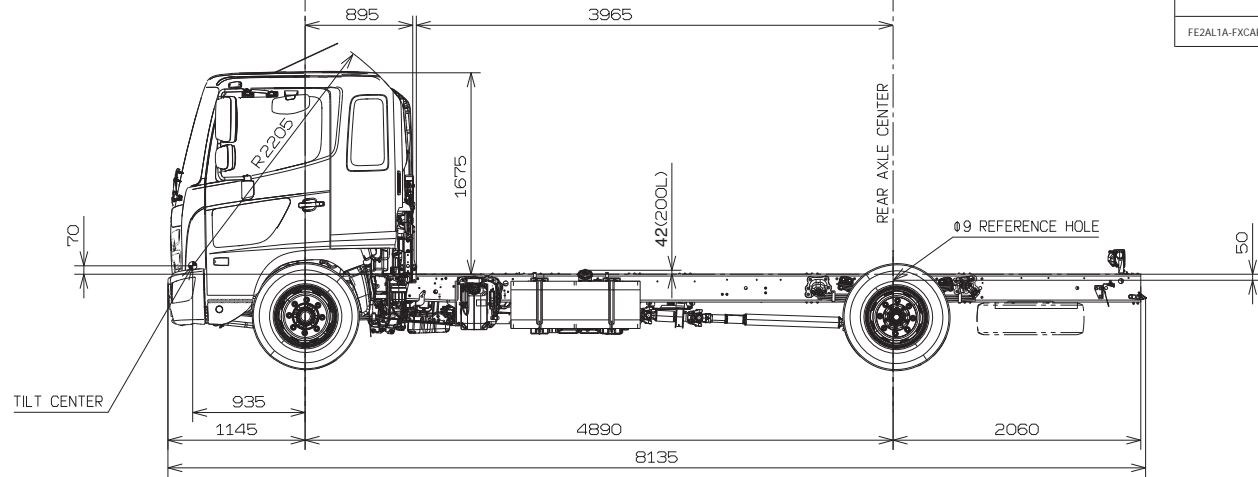
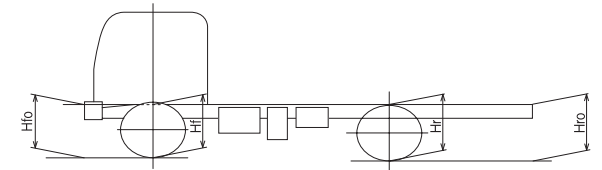
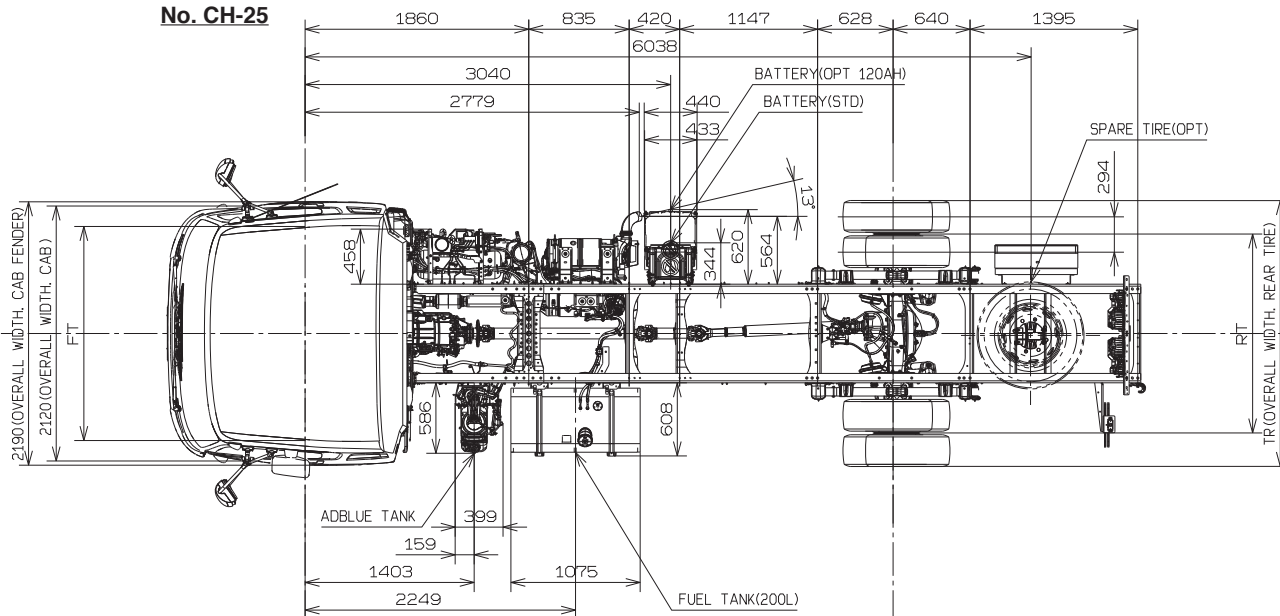


Unit : mm



MODEL	TIRE	WHEEL	GROUND HEIGHT, FRAME UPPER SURFACE				FT	RT	TR
			H10	H1	H2	H3			
FE2AG1A-FXCAE	265/70R19.5 143/141J	19.5X6.75-147	800	825	925	970	1760	1690	2240
		19.5X6.75-147 ALLOY	800	825	925	970	1775	1710	2260

Unit : mm



MODEL	TIRE	WHEEL	GROUND HEIGHT, FRAME UPPER SURFACE				FT	RT	TR
			H10	H1	H1	H10			
FE2AL1A-FXCAE	265/70R19.5 143/141J	19.5X6.75-147	800	825	925	965	1760	1690	2240
		19.5X6.75-147 ALLOY	800	825	925	965	1775	1710	2260