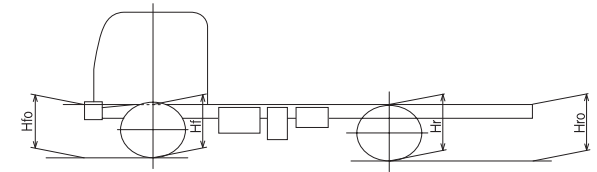
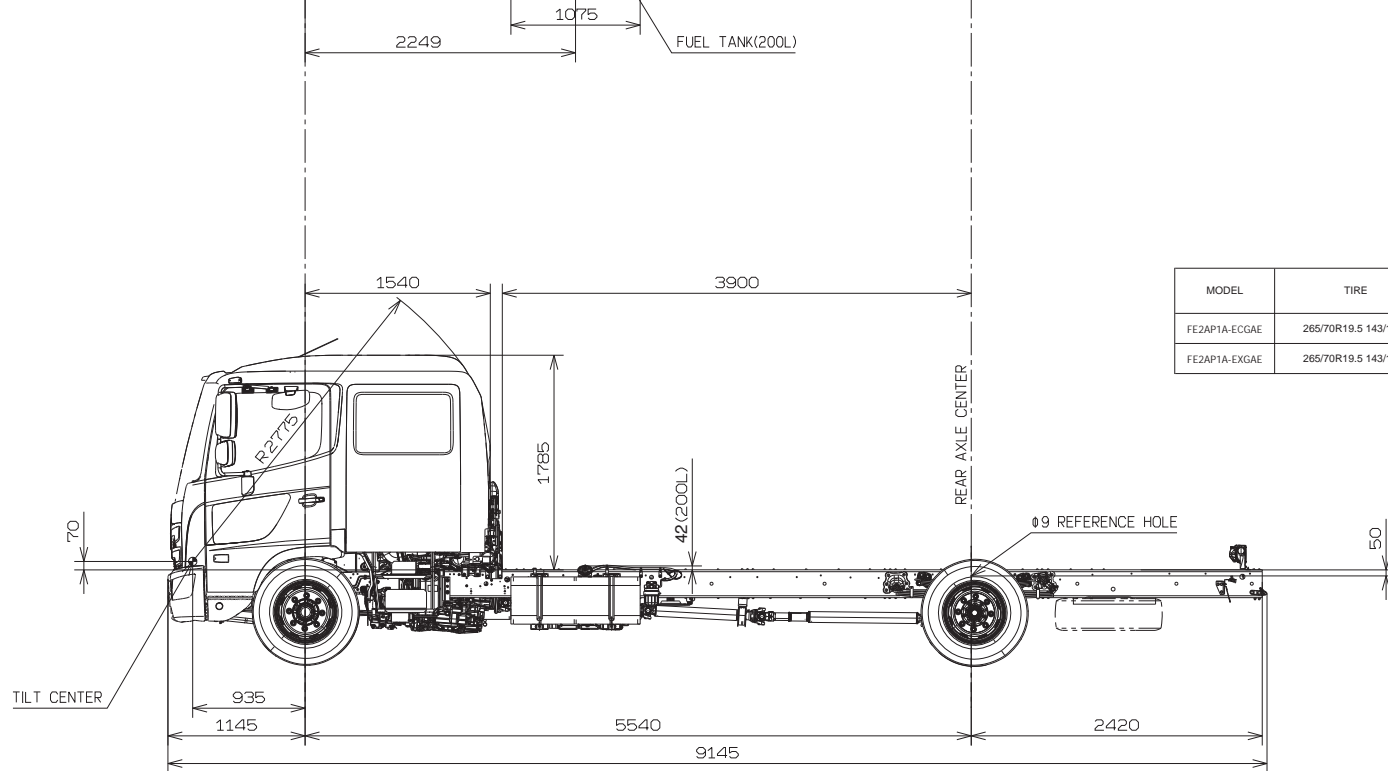
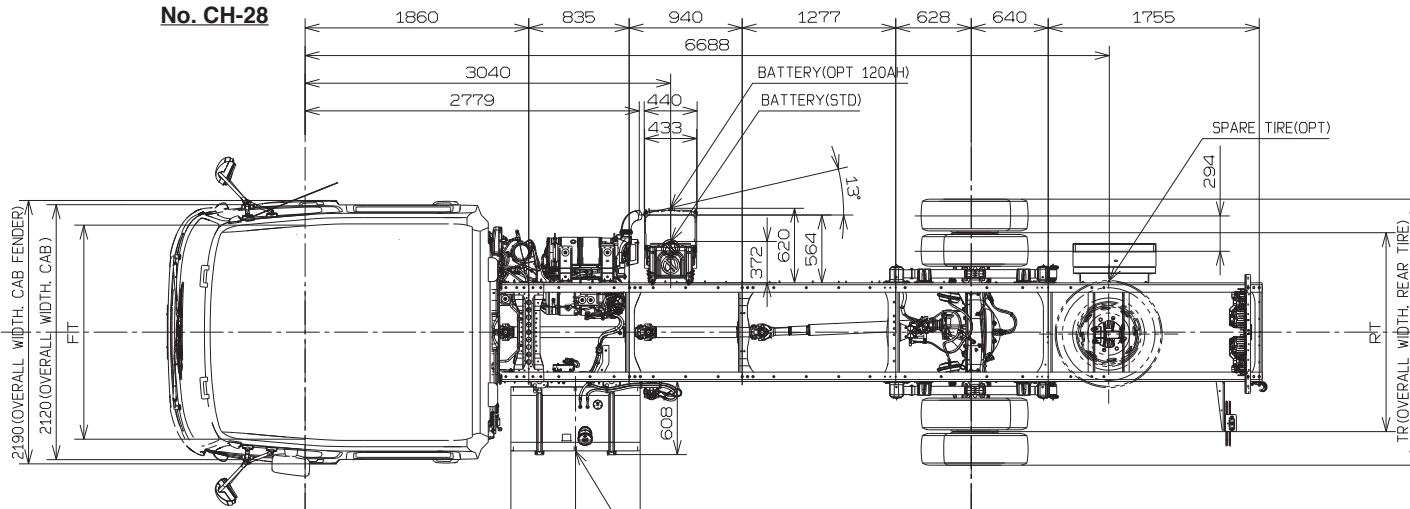


Unit : mm



MODEL	TIRE	WHEEL	GROUND HEIGHT, FRAME UPPER SURFACE			H10	FT	RT	TR
			H10	H1	H1				
FE2APIA-ECGAE	265/70R19.5 143/141J	19.5X6.75-147	785	815	920	970	1760	1690	2240
		19.5X6.75-147 ALLOY	785	815	920	970	1775	1710	2260
		19.5X6.75-147	785	815	920	970	1760	1690	2240
FE2APIA-EXGAE	265/70R19.5 143/141J	19.5X6.75-147	785	815	920	970	1775	1710	2260
		19.5X6.75-147 ALLOY	785	815	920	970	1775	1710	2260