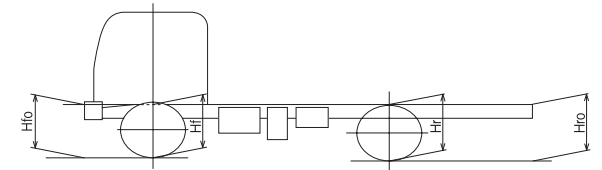
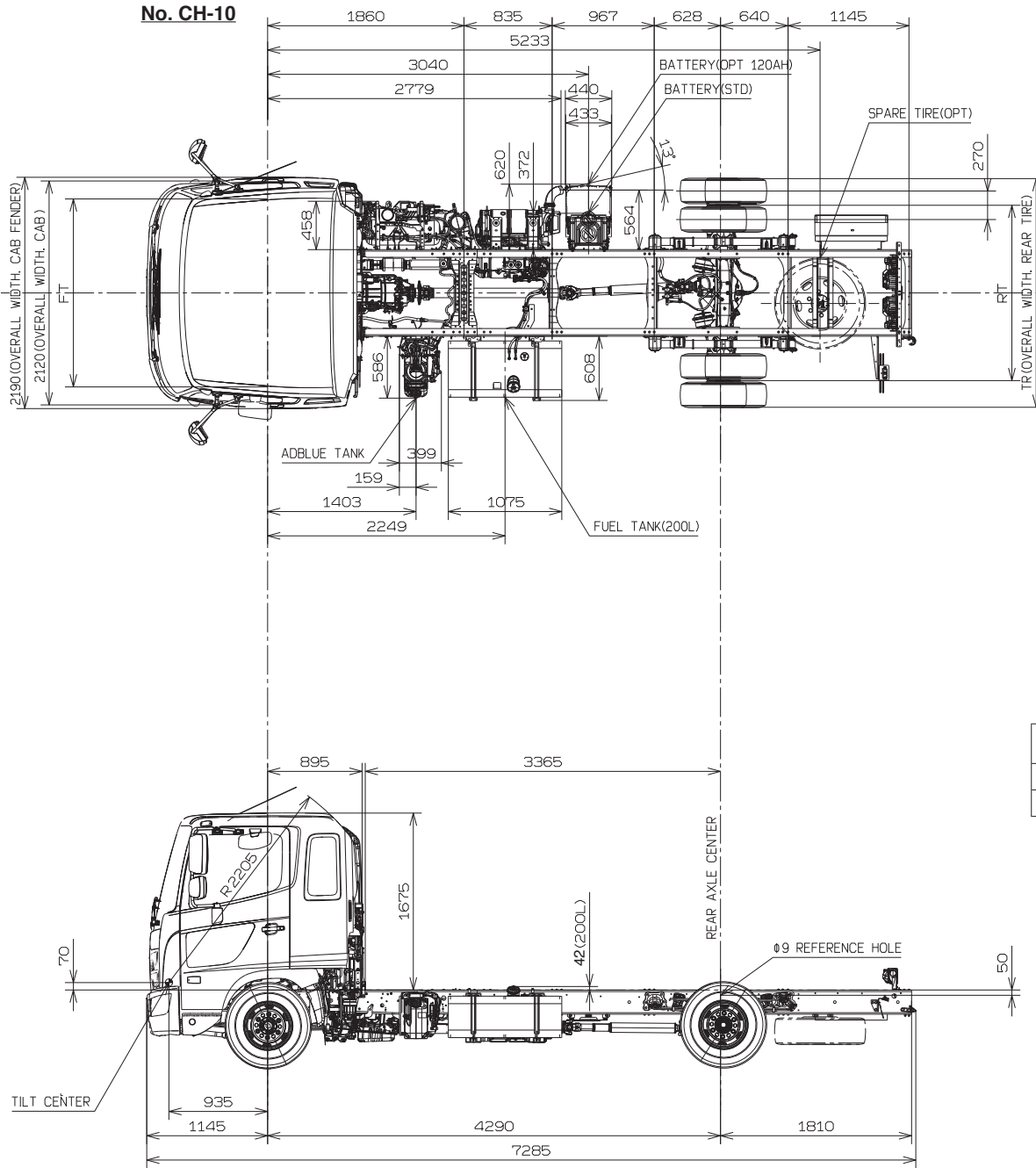
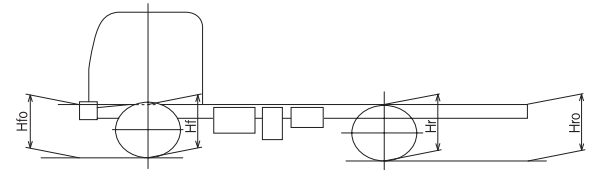
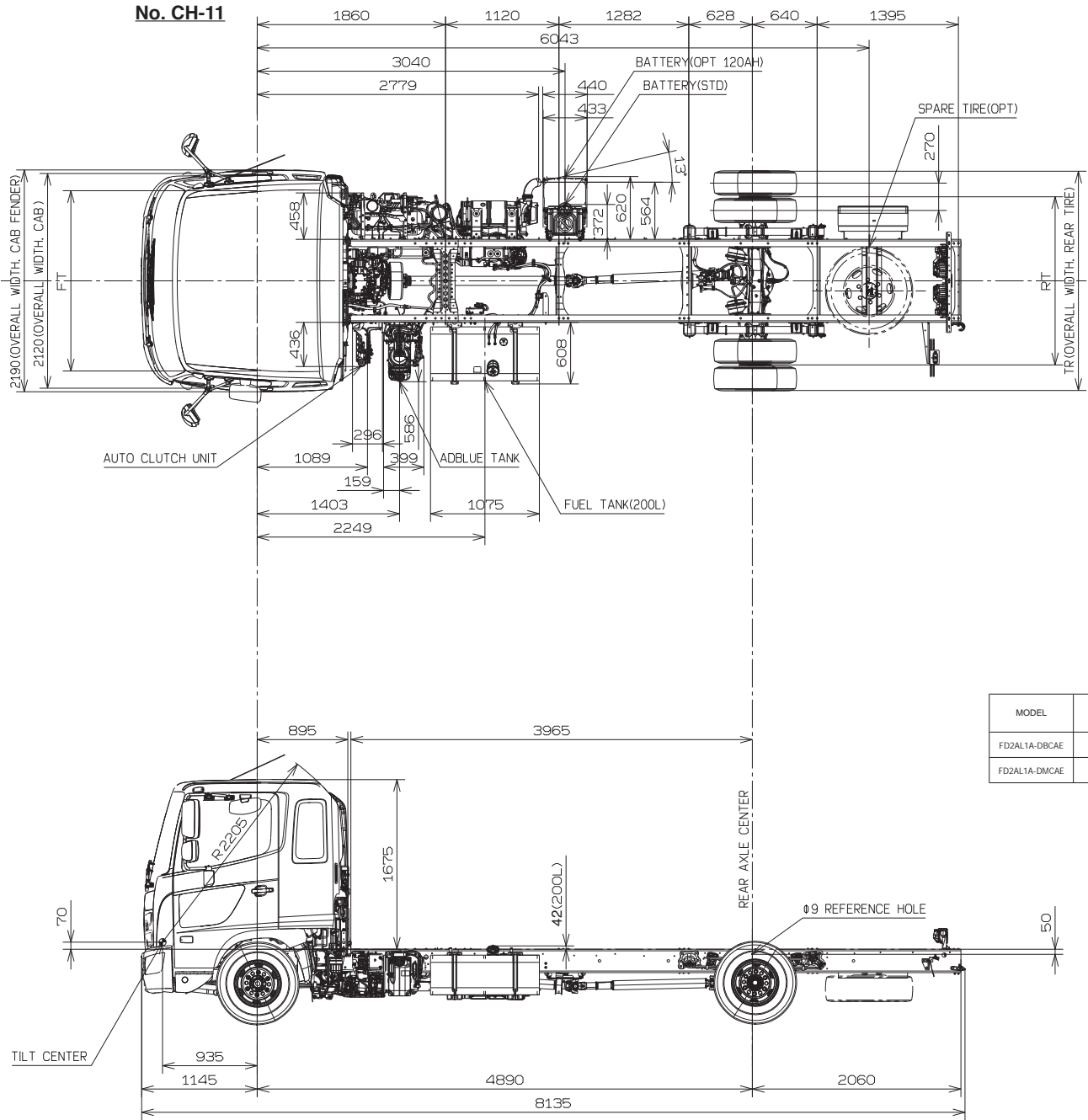


Unit : mm



MODEL	TIRE	WHEEL	GROUND HEIGHT, FRAME UPPER SURFACE				FT	RT	TR
			H10	H1	H1	H10			
FD2AJ1A-DBCAE	235/75R17.5 132/130M	17.5X6.75-135	745	765	860	900	1780	1660	2165
		17.5X6.75-135 ALLOY	745	765	860	900	1795	1680	2190
		17.5X6.75-135	745	765	860	900	1780	1660	2165
FD2AJ1A-DXCAE	235/75R17.5 132/130M	17.5X6.75-135	745	765	860	900	1795	1680	2190
		17.5X6.75-135 ALLOY	745	765	860	900	1795	1680	2190

Unit : mm



MODEL	TIRE	WHEEL	GROUND HEIGHT, FRAME UPPER SURFACE				FT	RT	TR
			H10	H1	H	H0			
FD2AL1A-DBCAE	235/75R17.5 132/130M	17.5X6.75-135	745	765	860	900	1780	1660	2165
		17.5X6.75-135 ALLOY	745	765	860	900	1795	1680	2190
		17.5X6.75-135	745	765	860	900	1780	1660	2165
FD2AL1A-DMCAE	235/75R17.5 132/130M	17.5X6.75-135	745	765	860	900	1795	1680	2190
		17.5X6.75-135 ALLOY	745	765	860	900	1795	1680	2190