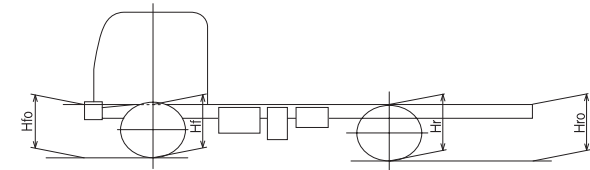
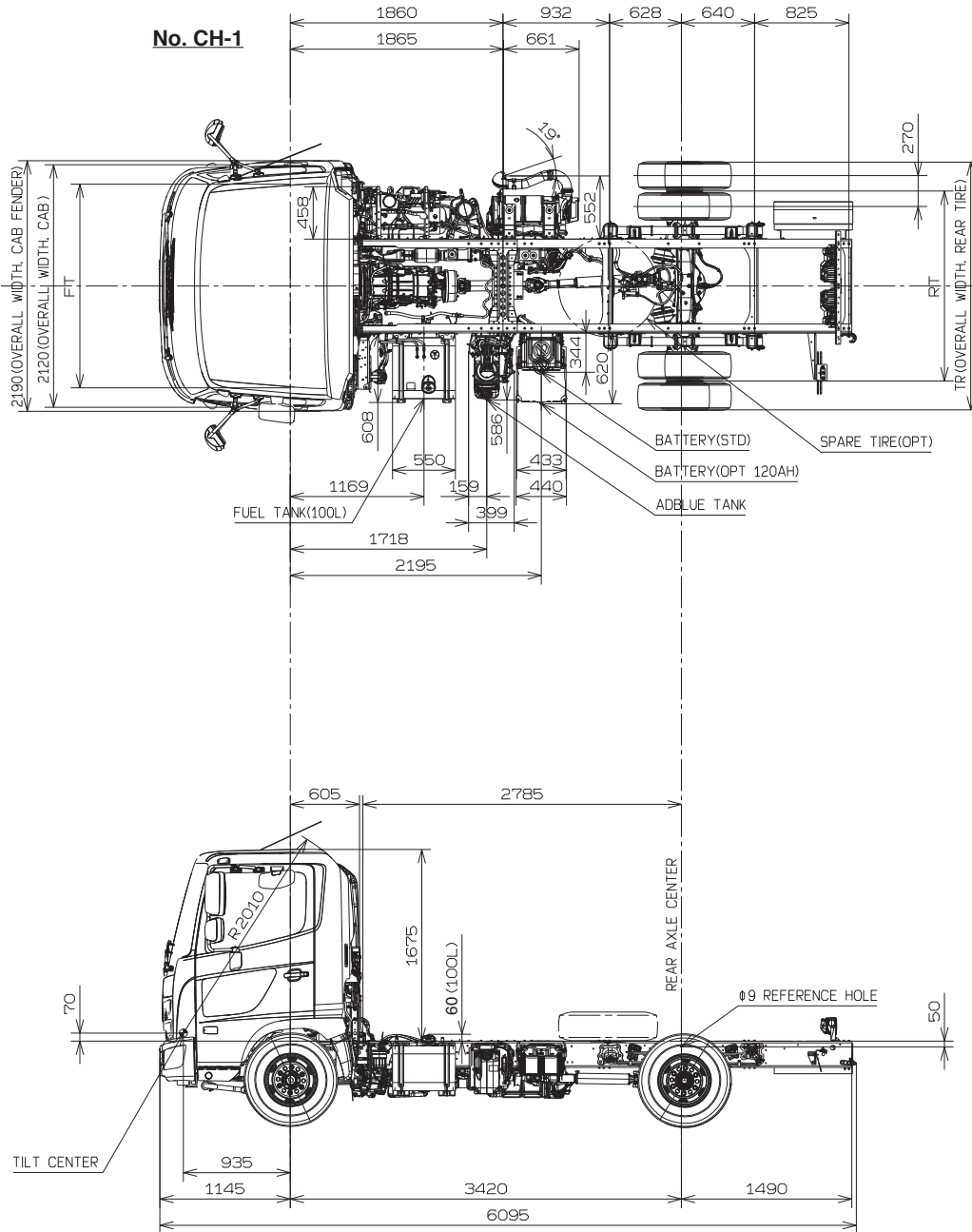


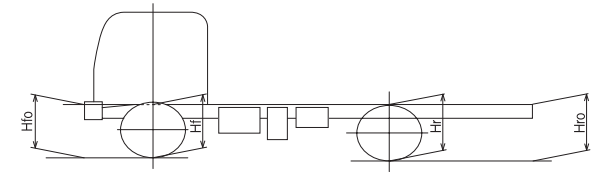
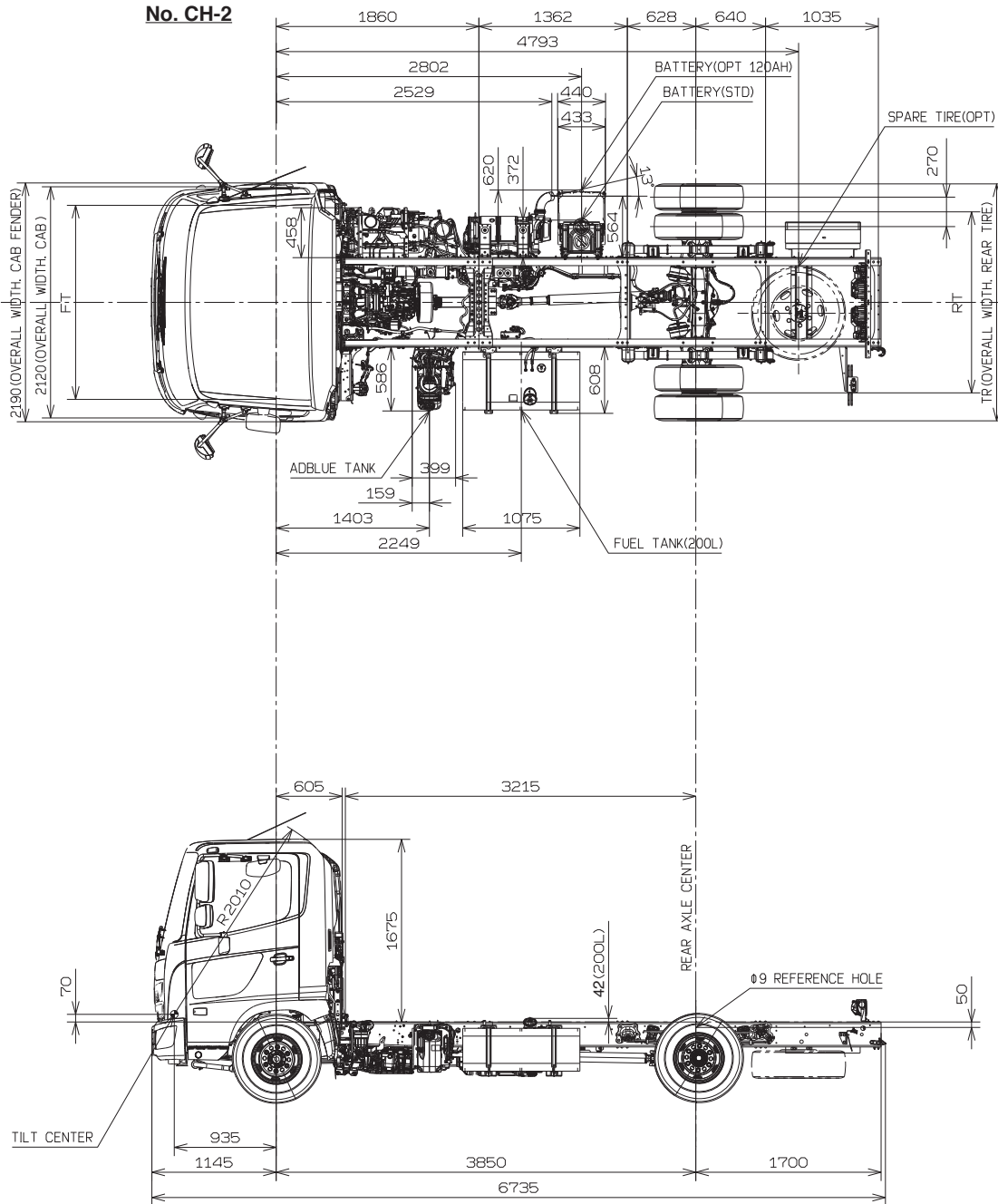
3. CHASSIS DRAWINGS

Unit : mm



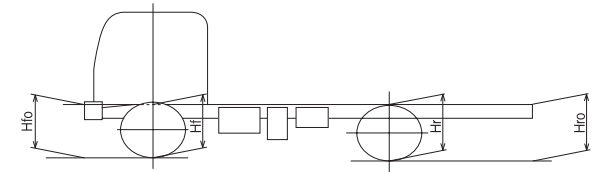
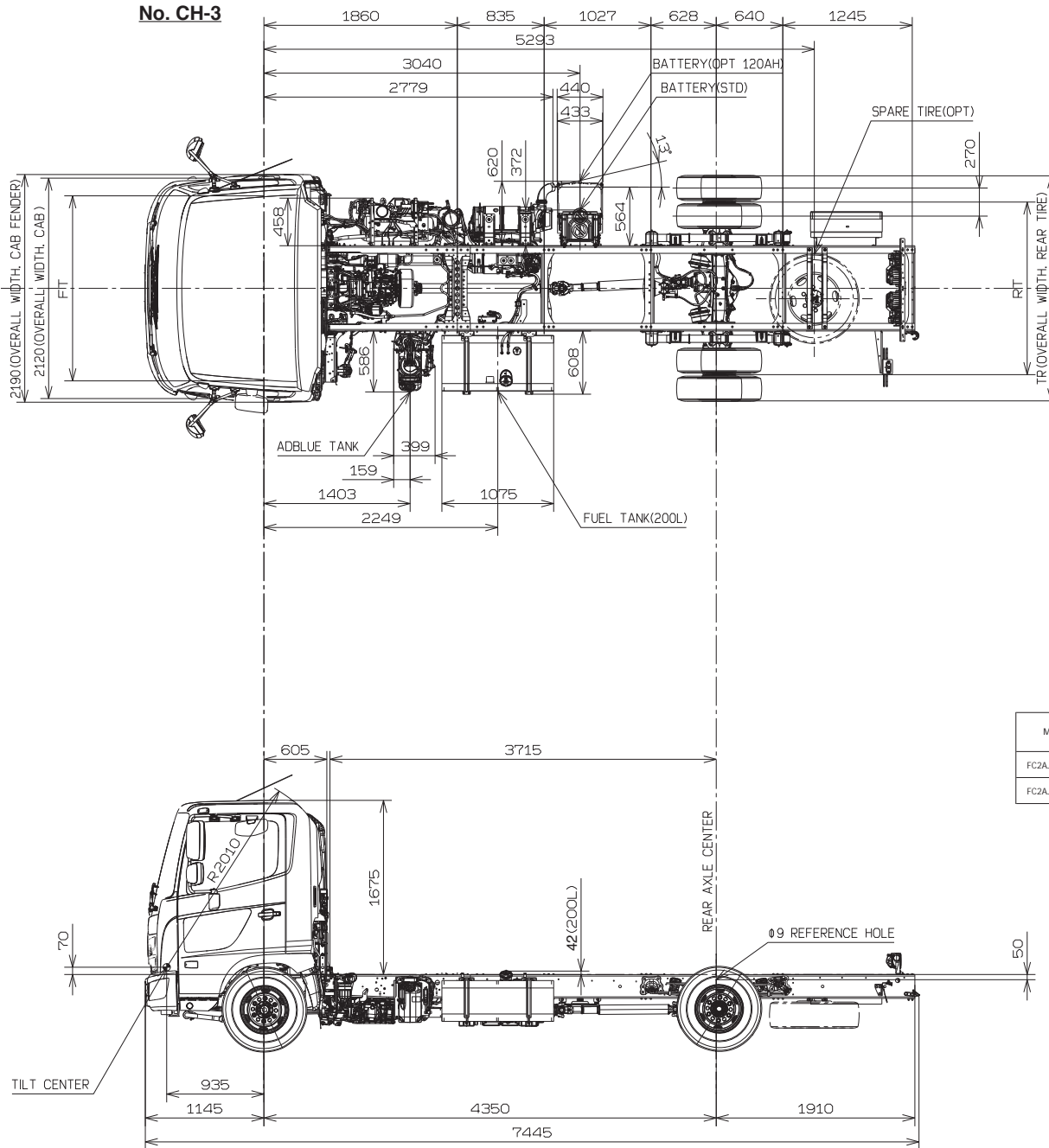
MODEL	TIRE	WHEEL	GROUND HEIGHT, FRAME UPPER SURFACE				FT	RT	TR
			H10	H1	H	H10			
FC2AE1M-DBAAE	235/75R17.5 132/130M	17.5X6.75-135	740	770	870	915	1780	1660	2165
		17.5X6.75-135 ALLOY	740	770	870	915	1795	1680	2190
		17.5X6.75-135	735	770	870	915	1780	1660	2165
FC2AE1M-DXAAE	235/75R17.5 132/130M	17.5X6.75-135	735	770	870	915	1795	1680	2190
		17.5X6.75-135 ALLOY	735	770	870	915	1795	1680	2190

Unit : mm



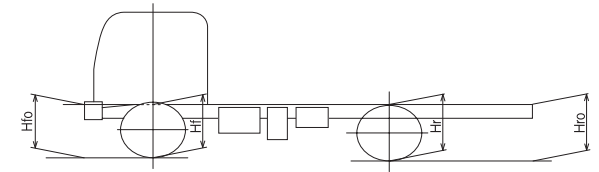
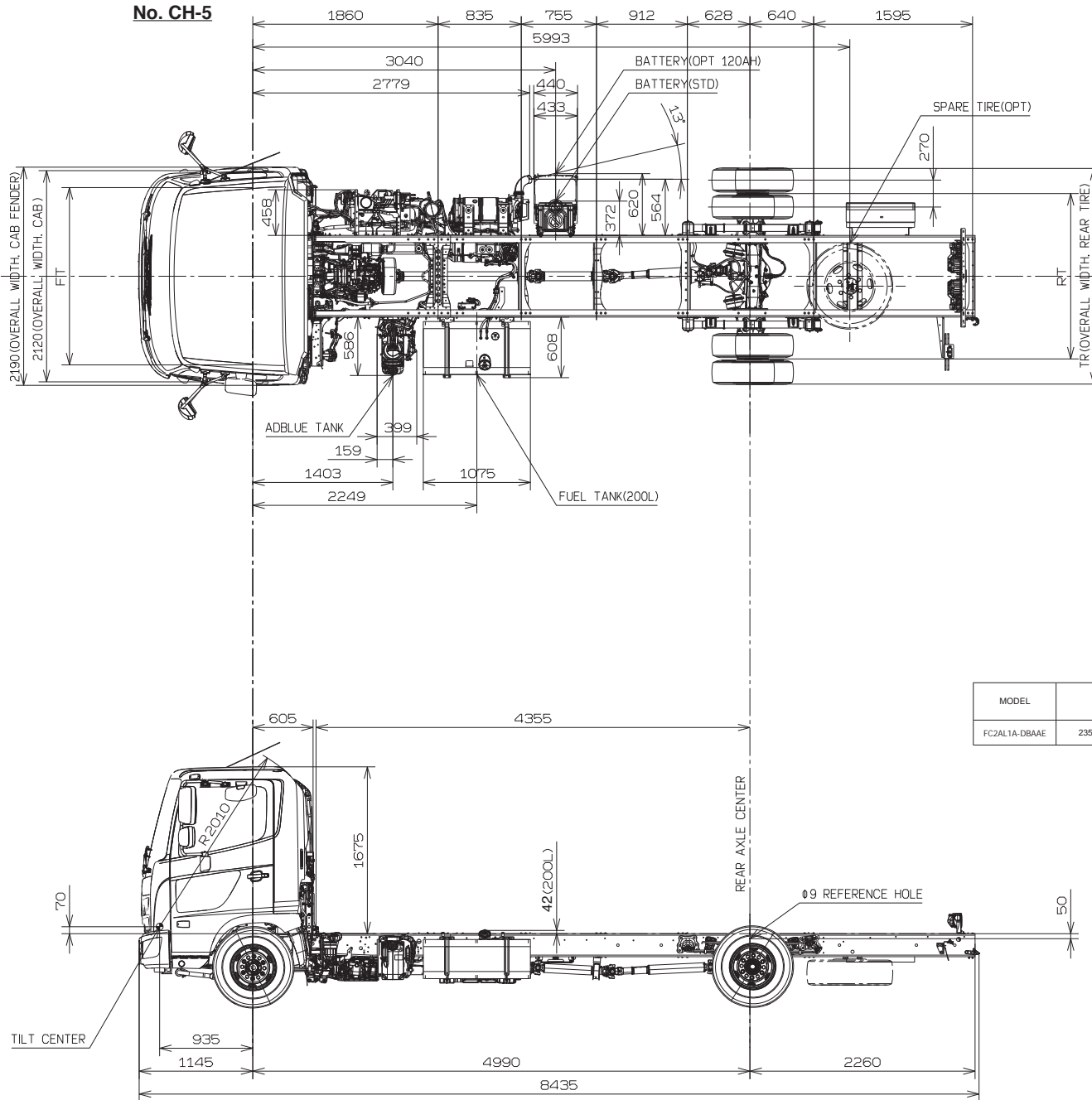
MODEL	TIRE	WHEEL	GROUND HEIGHT, FRAME UPPER SURFACE				FT	RT	TR
			H10	H1	H	H10			
FC2AG1A-DBAAE	235/75R17.5 132/130M	17.5X6.75-135	745	770	860	905	1780	1660	2165
		17.5X6.75-135 ALLOY	745	770	860	905	1795	1680	2190
		17.5X6.75-135	740	770	860	905	1780	1660	2165
FC2AG1A-DXAAE	235/75R17.5 132/130M	17.5X6.75-135	740	770	860	905	1795	1680	2190
		17.5X6.75-135 ALLOY	740	770	860	905	1795	1680	2190

Unit : mm



MODEL	TIRE	WHEEL	GROUND HEIGHT, FRAME UPPER SURFACE				FT	RT	TR
			H10	H1	H	H10			
FC2AJ1A-DBAAE	235/75R17.5 132/130M	17.5X6.75-135	745	765	860	905	1780	1660	2165
		17.5X6.75-135 ALLOY	745	765	860	905	1795	1680	2190
		17.5X6.75-135	745	765	860	905	1780	1660	2165
FC2AJ1A-DXAAE	235/75R17.5 132/130M	17.5X6.75-135	745	765	860	905	1795	1680	2190
		17.5X6.75-135 ALLOY	745	765	860	905	1795	1680	2190

Unit : mm



MODEL	TIRE	WHEEL	GROUND HEIGHT, FRAME UPPER SURFACE				FT	RT	TR
			H10	H1	H	H10			
FC2AL1A-DBAAE	235/75R17.5 132/130M	17.5X6.75-135	745	765	860	905	1780	1660	2165
		17.5X6.75-135 ALLOY	745	765	860	905	1795	1680	2190