

8

CHASSIS DRAWINGS

Refer to detail of the cab, chassis and chassis frame drawing based on following table.

Chassis Model	Chassis Drawings			
	Cab		Back	Chassis
	Front	Rear		
SH1EAKG-ESAPEAC	CABF-2	CABR-10	CB-14	CH-19

Chapter 8

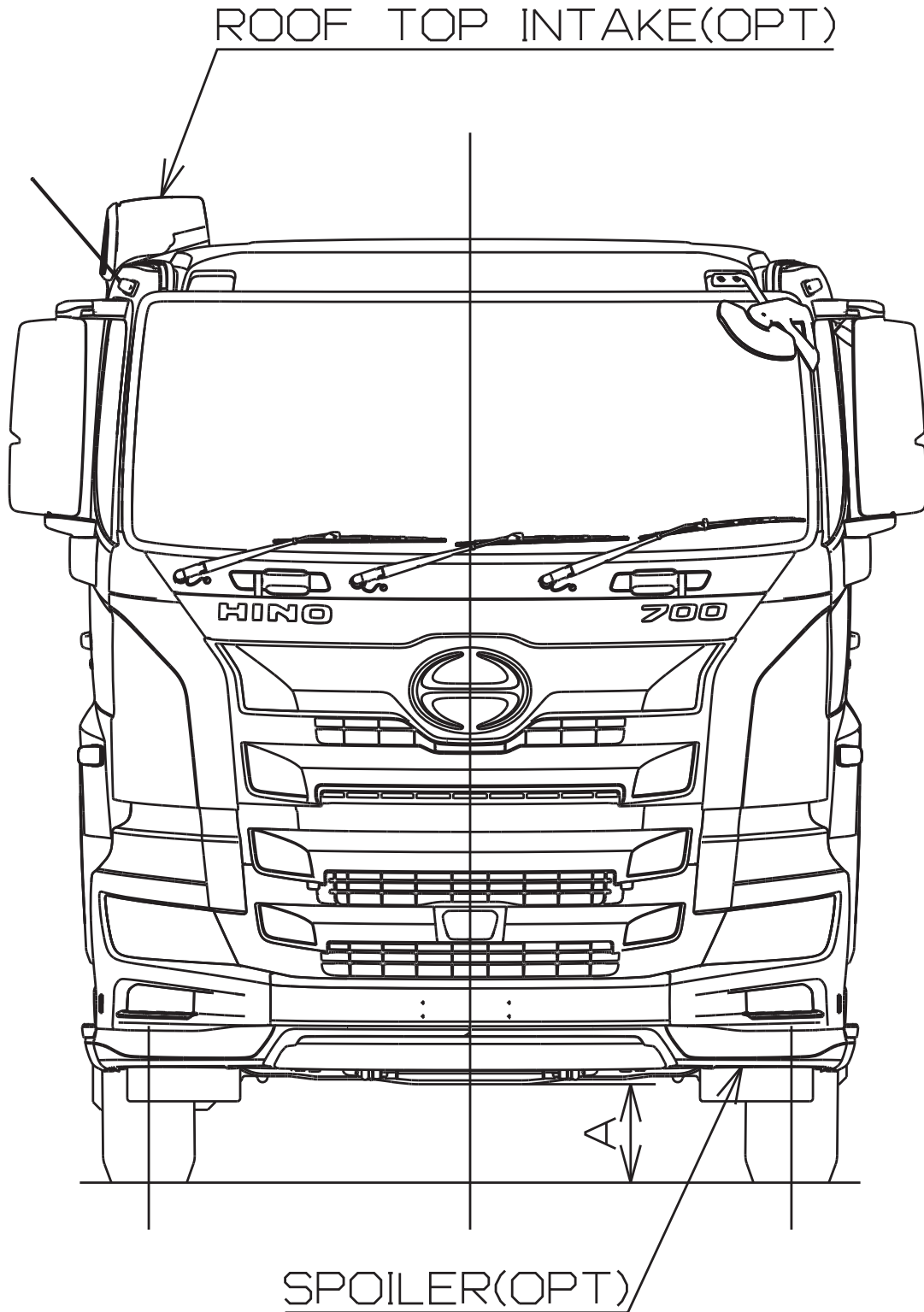
CHASSIS DRAWINGS

- 1. CAB DRAWINGS**
- 2. CAB BACK DRAWINGS**
- 3. CHASSIS DRAWINGS**
- 4. CHASSIS FRAME DRAWINGS**

• Front

No. CABF-2

Unit : mm



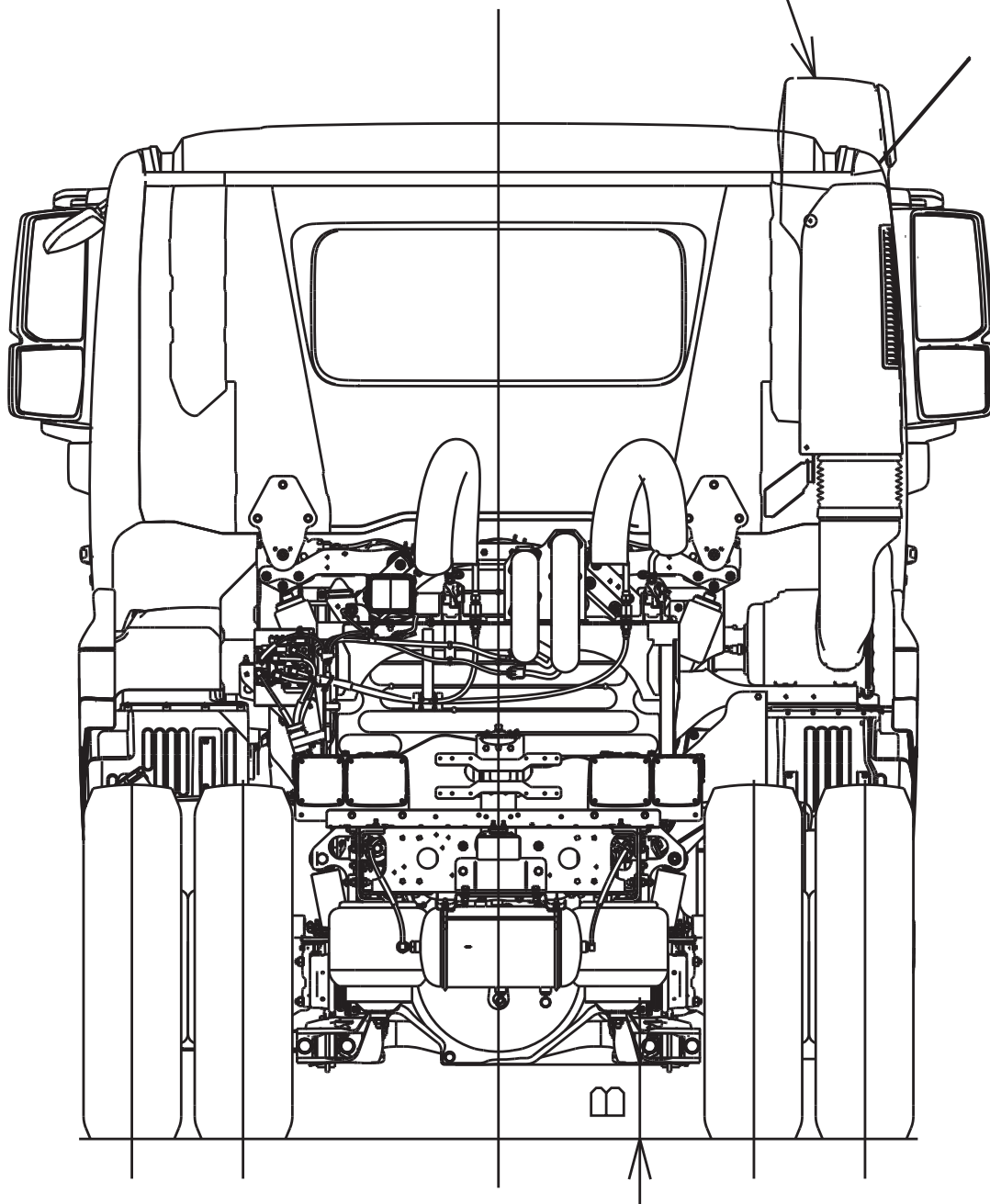
※ Marked "A" to be shown chassis drawing.

• Rear

No. CABR-10

Unit : mm

ROOF TOP INTAKE(OPT)

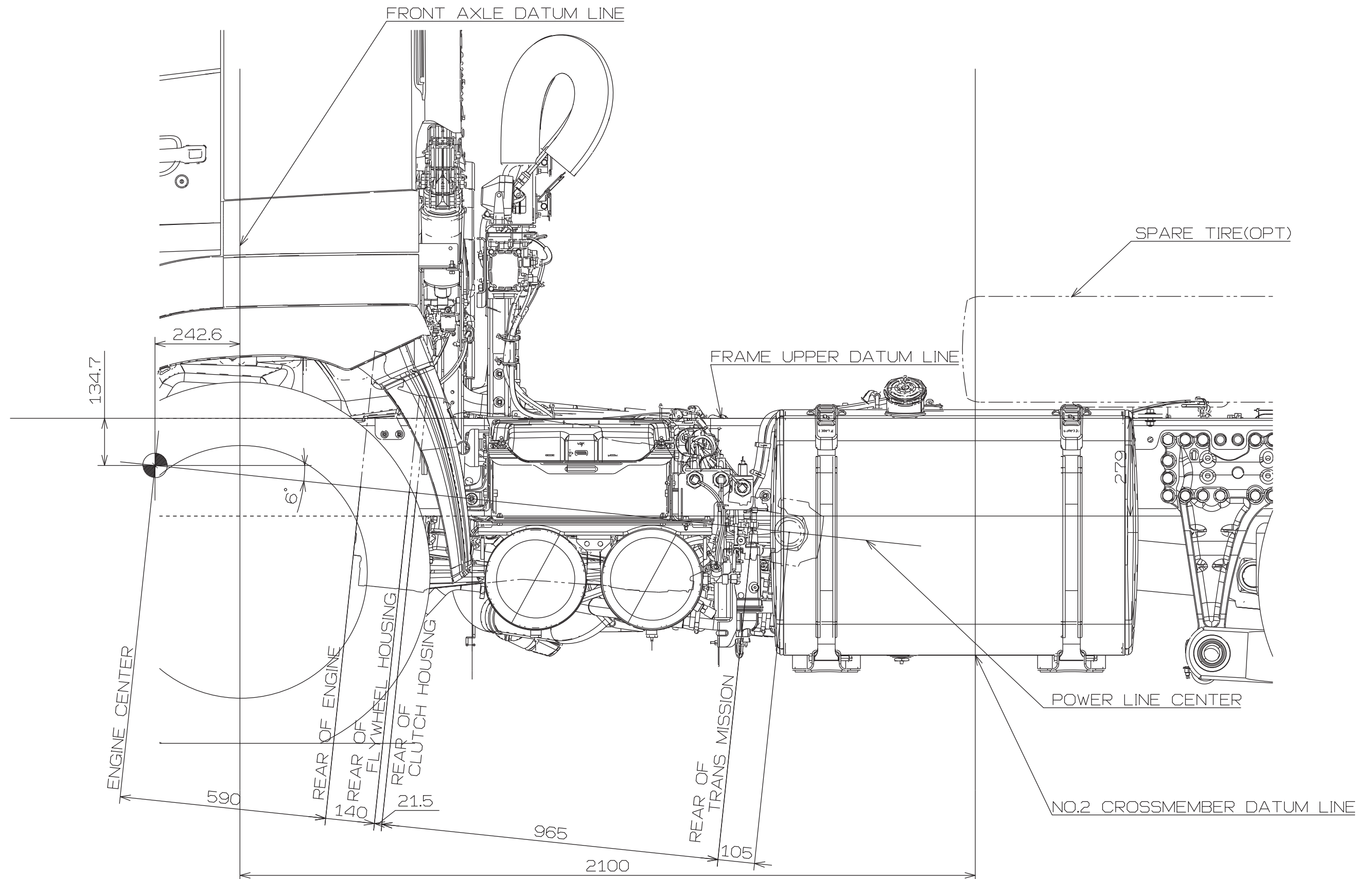


※ Marked "B" to be shown chassis drawing.

No. CB-14

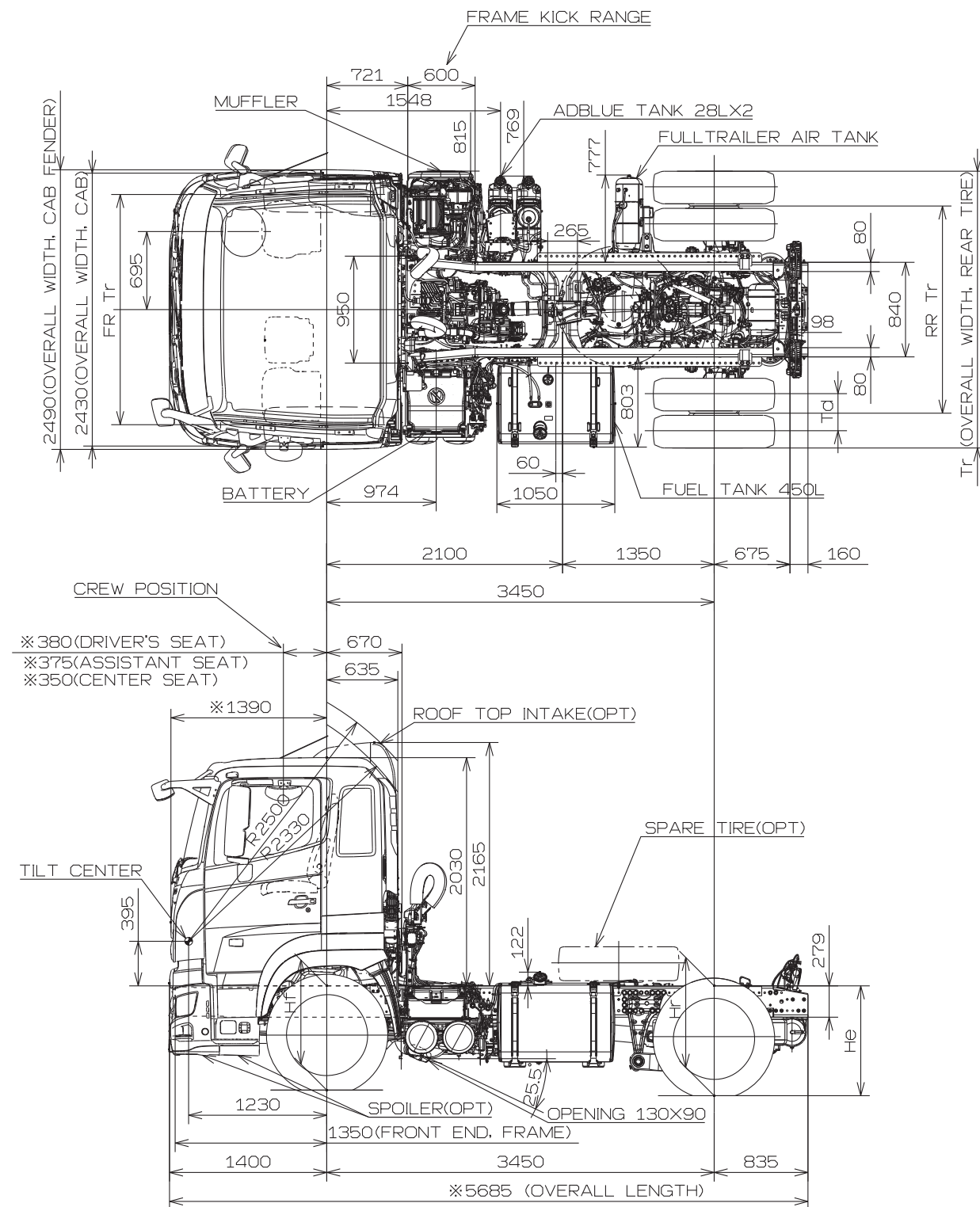
• Left view

Unit : mm



No. CH-19

Unit : mm

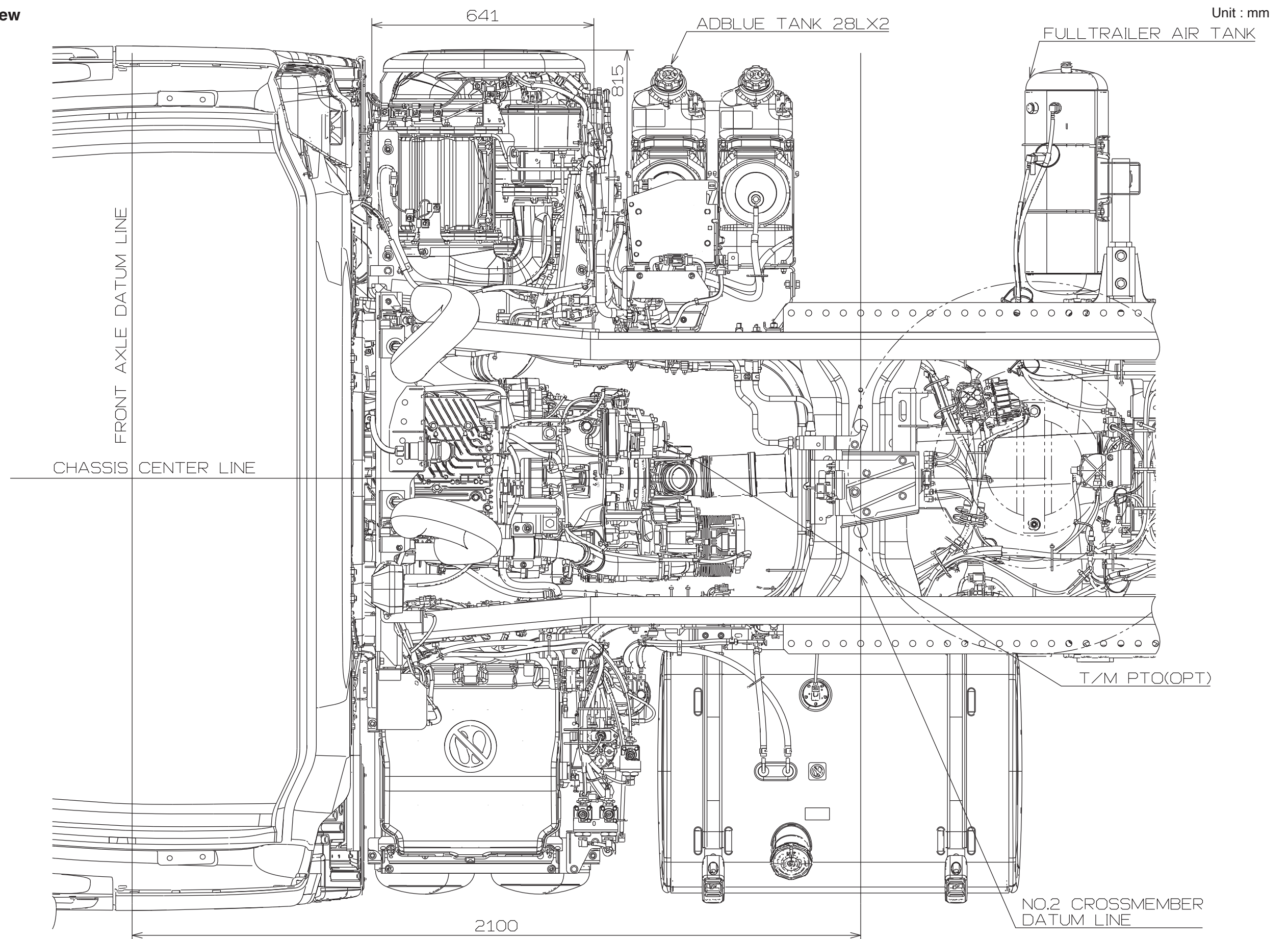


MODEL	TIRE SIZE	DISC SIZE	DIMENSIONS(mm)								
			Hf	Hr	He	A	B	FR Tr	RR Tr	Td	Tr
SH1EAKG-ESAPEAC	F 295/80R22.5,R 11R22.5	F&R 22.5X8.25	984	989	990.7	265	227	2055	1845	330	2453
	F 295/80R22.5,R 11R22.5	F&R 22.5X8.25 ALLOY	984	989	990.7	265	227	2075	1860	330	2469
	F&R 295/80R22.5	F&R 22.5X8.25	984	986	993.7	265	224	2055	1845	330	2464
	F&R 295/80R22.5	F&R 22.5X8.25 ALLOY	984	986	993.7	265	224	2075	1860	330	2480

NOTE:1.Figures marked"*"dimensions are measured in parallel with the surface of the ground.
 2.The dimension of tire to be mentioned in above table shows design figure according to JATMA or ETRTO standard.

No. CB-14

• Upper view



No. CB-14

• Right view

Unit : mm

