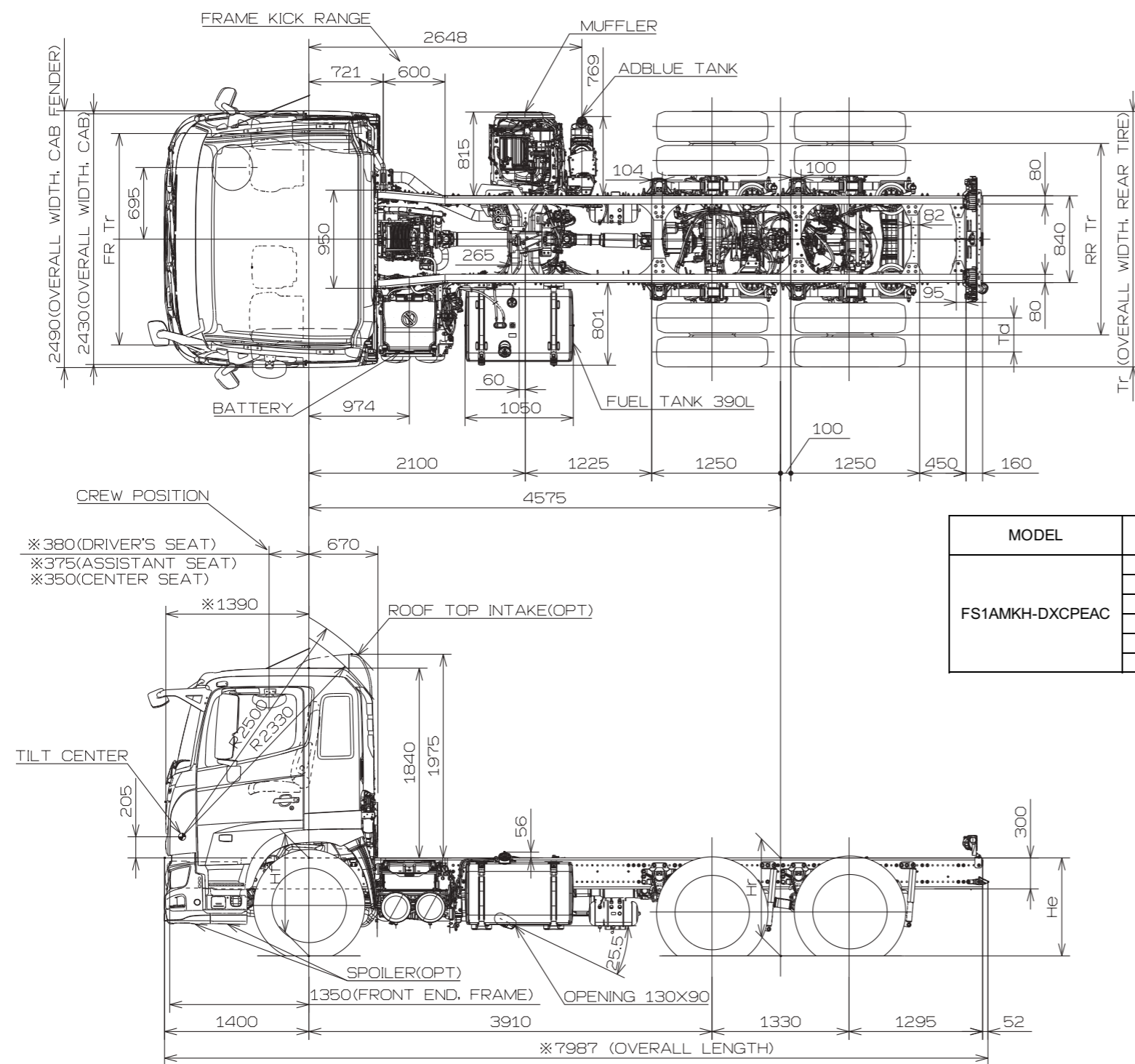


No. CH-4

Unit : mm

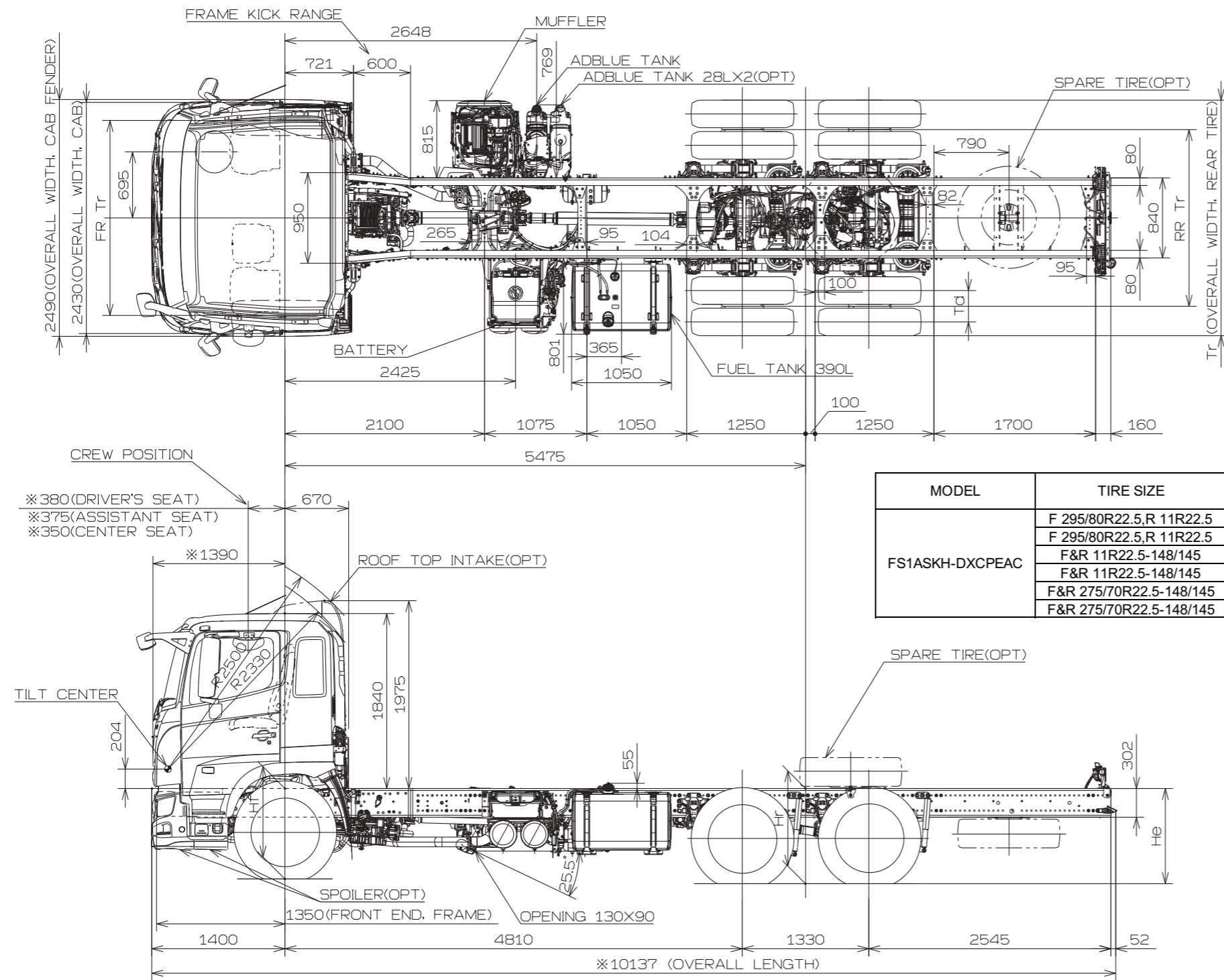


MODEL	TIRE SIZE	DISC SIZE	DIMENSIONS(mm)								
			Hf	Hr	He	A	B	FR Tr	RR Tr	Td	Tr
FS1AMKH-DXCPEAC	F 295/80R22.5,R 11R22.5	F&R 22.5X8.25	1021	1057	1072.4	268	242	2050	1855	330	2466
	F 295/80R22.5,R 11R22.5	F&R 22.5X8.25 ALLOY	1021	1057	1072.4	268	242	2070	1875	330	2482
	F&R 11R22.5-148/145	F&R 22.5X8.25	1025	1057	1072.4	272	242	2050	1855	330	2466
	F&R 11R22.5-148/145	F&R 22.5X8.25 ALLOY	1025	1057	1072.4	272	242	2070	1875	330	2482
	F&R 275/70R22.5-148/145	F&R 22.5X8.25	978	1011	1118.4	225	196	2050	1855	330	2463
	F&R 275/70R22.5-148/145	F&R 22.5X8.25 ALLOY	978	1011	1118.4	225	196	2070	1875	330	2479

NOTE:1.Figures marked"*"dimensions are measured in parallel with the surface of the ground.
 2.The dimension of tire to be mentioned in above table shows design figure according to JATMA or ETRTO standard.

No. CH-7

Unit : mm

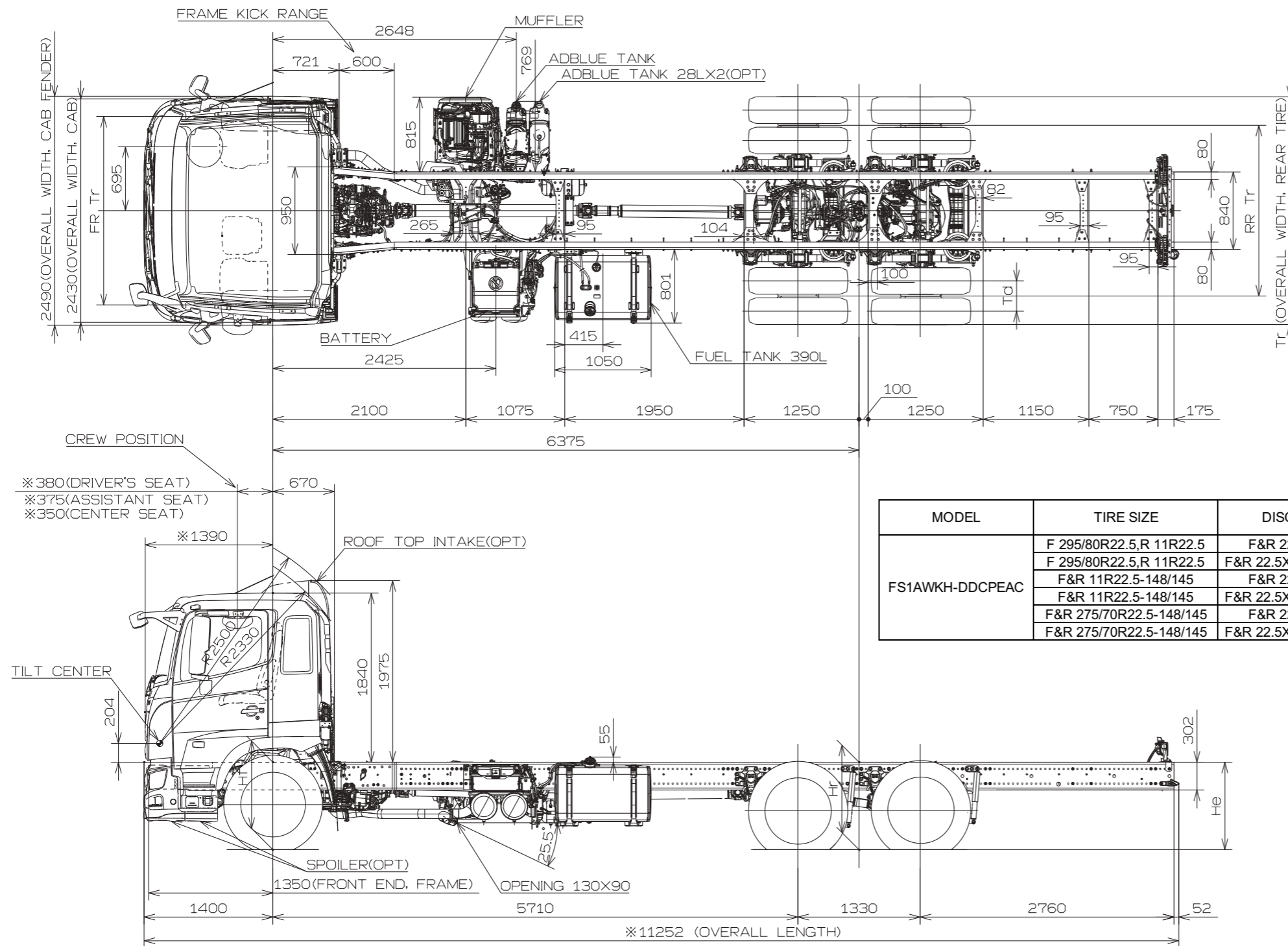


MODEL	TIRE SIZE	DISC SIZE	DIMENSIONS(mm)								
			Hf	Hr	He	A	B	FR Tr	RR Tr	Td	Tr
FS1ASKH-DXCPEAC	F 295/80R22.5,R 11R22.5	F&R 22.5X8.25	1022	1056	1076.2	269	241	2050	1855	330	2466
	F 295/80R22.5,R 11R22.5	F&R 22.5X8.25 ALLOY	1022	1056	1076.2	269	241	2070	1875	330	2482
	F&R 11R22.5-148/145	F&R 22.5X8.25	1026	1056	1076.2	273	242	2050	1855	330	2466
	F&R 11R22.5-148/145	F&R 22.5X8.25 ALLOY	1026	1056	1076.2	273	242	2070	1875	330	2482
	F&R 275/70R22.5-148/145	F&R 22.5X8.25	979	1010	1122.2	226	196	2050	1855	330	2463
	F&R 275/70R22.5-148/145	F&R 22.5X8.25 ALLOY	979	1010	1122.2	226	196	2070	1875	330	2479

NOTE:1.Figures marked"*"dimensions are measured in parallel with the surface of the ground.
 2.The dimension of tire to be mentioned in above table shows design figure according to JATMA or ETRTO standard.

No. CH-9

Unit : mm



MODEL	TIRE SIZE	DISC SIZE	DIMENSIONS(mm)								
			Hf	Hr	He	A	B	FR Tr	RR Tr	Td	Tr
FS1AWKH-DDCPEAC	F 295/80R22.5,R 11R22.5	F&R 22.5X8.25	1018	1054	1073.8	268	241	2050	1855	330	2466
	F 295/80R22.5,R 11R22.5	F&R 22.5X8.25 ALLOY	1018	1054	1073.8	268	241	2070	1875	330	2482
	F&R 11R22.5-148/145	F&R 22.5X8.25	1022	1054	1073.8	272	242	2050	1855	330	2466
	F&R 11R22.5-148/145	F&R 22.5X8.25 ALLOY	1022	1054	1073.8	272	242	2070	1875	330	2482
	F&R 275/70R22.5-148/145	F&R 22.5X8.25	975	1008	1119.8	225	196	2050	1855	330	2463
	F&R 275/70R22.5-148/145	F&R 22.5X8.25 ALLOY	975	1008	1119.8	225	196	2070	1875	330	2479

NOTE:1.Figures marked"*"dimensions are measured in parallel with the surface of the ground.
 2.The dimension of tire to be mentioned in above table shows design figure according to JATMA or ETRTO standard.