

8

CHASSIS DRAWINGS

Refer to detail of the cab, chassis and chassis frame drawing based on following table.

Chassis Model	Chassis Drawings			
	Cab		Back	Chassis
	Front	Rear		
FR1AWKH-DXCPEAC	CABF-1	CABR-3	CB-3	C=-3

Chapter 8

CHASSIS DRAWINGS

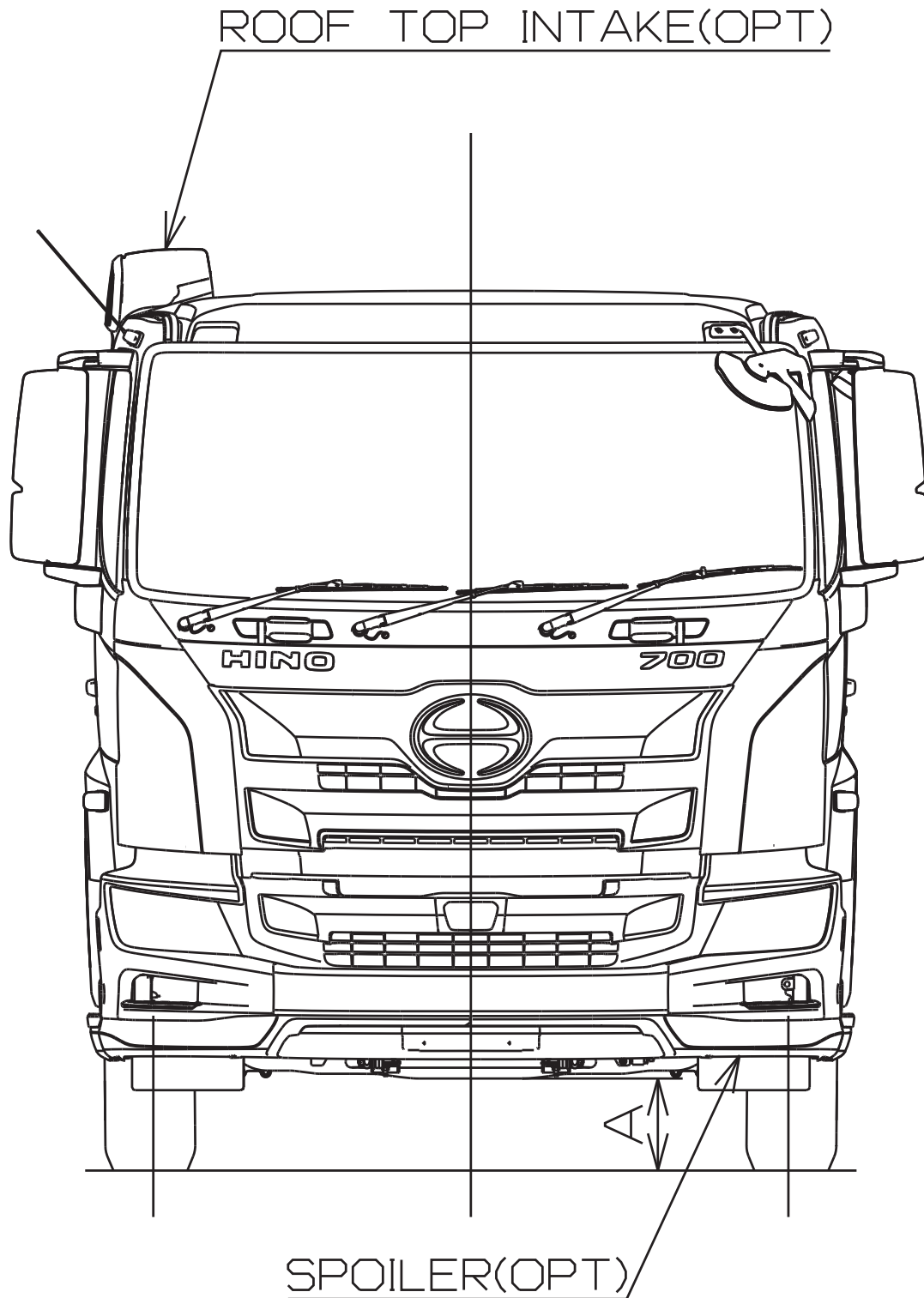
- 1. CAB DRAWINGS**
- 2. CAB BACK DRAWINGS**
- 3. CHASSIS DRAWINGS**

1. CAB DRAWINGS

• Front

No. CABF-1

Unit : mm



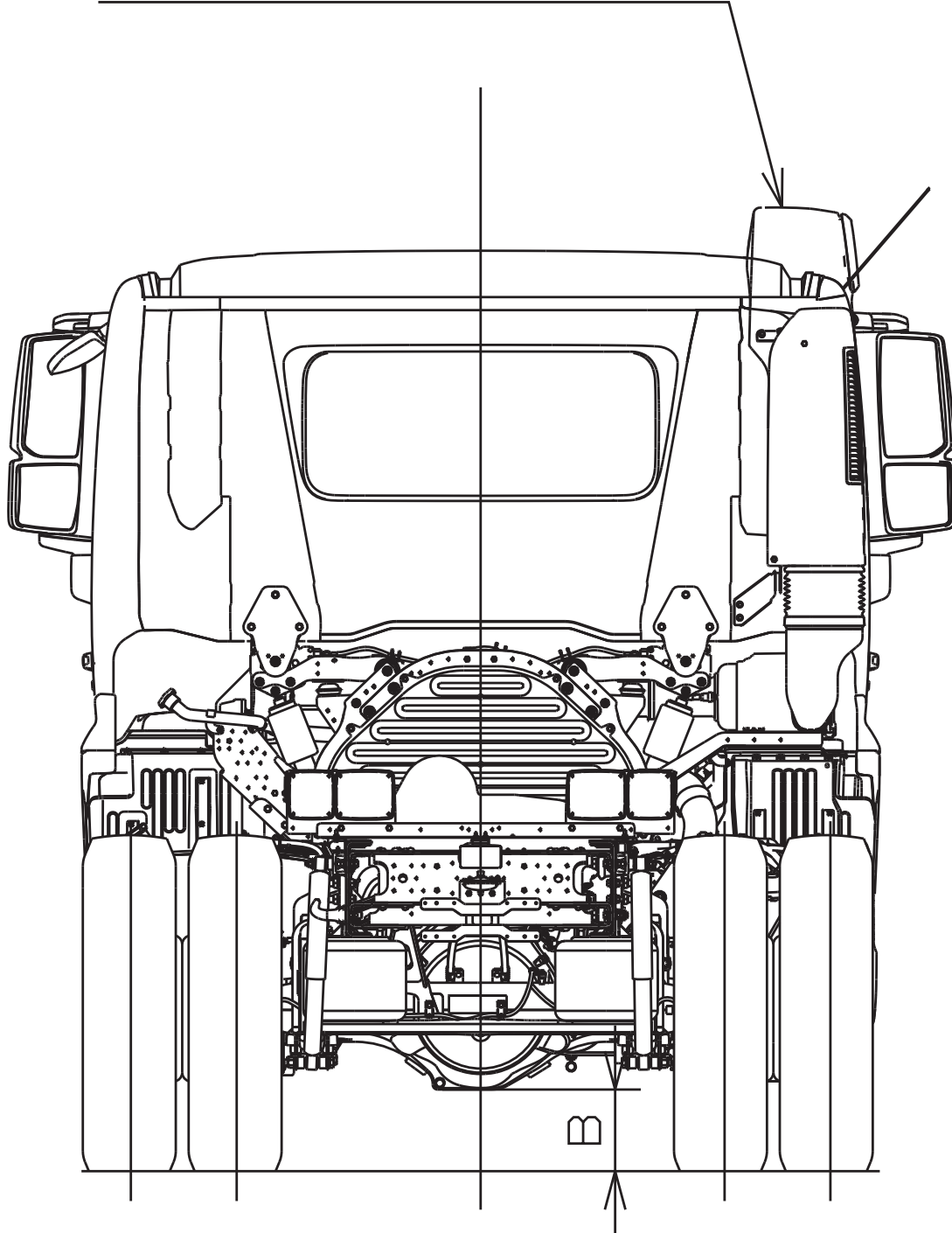
※ Marked "A" to be shown chassis drawing.

• Rear

No. CABR-3

Unit : mm

ROOF TOP INTAKE(OPT)

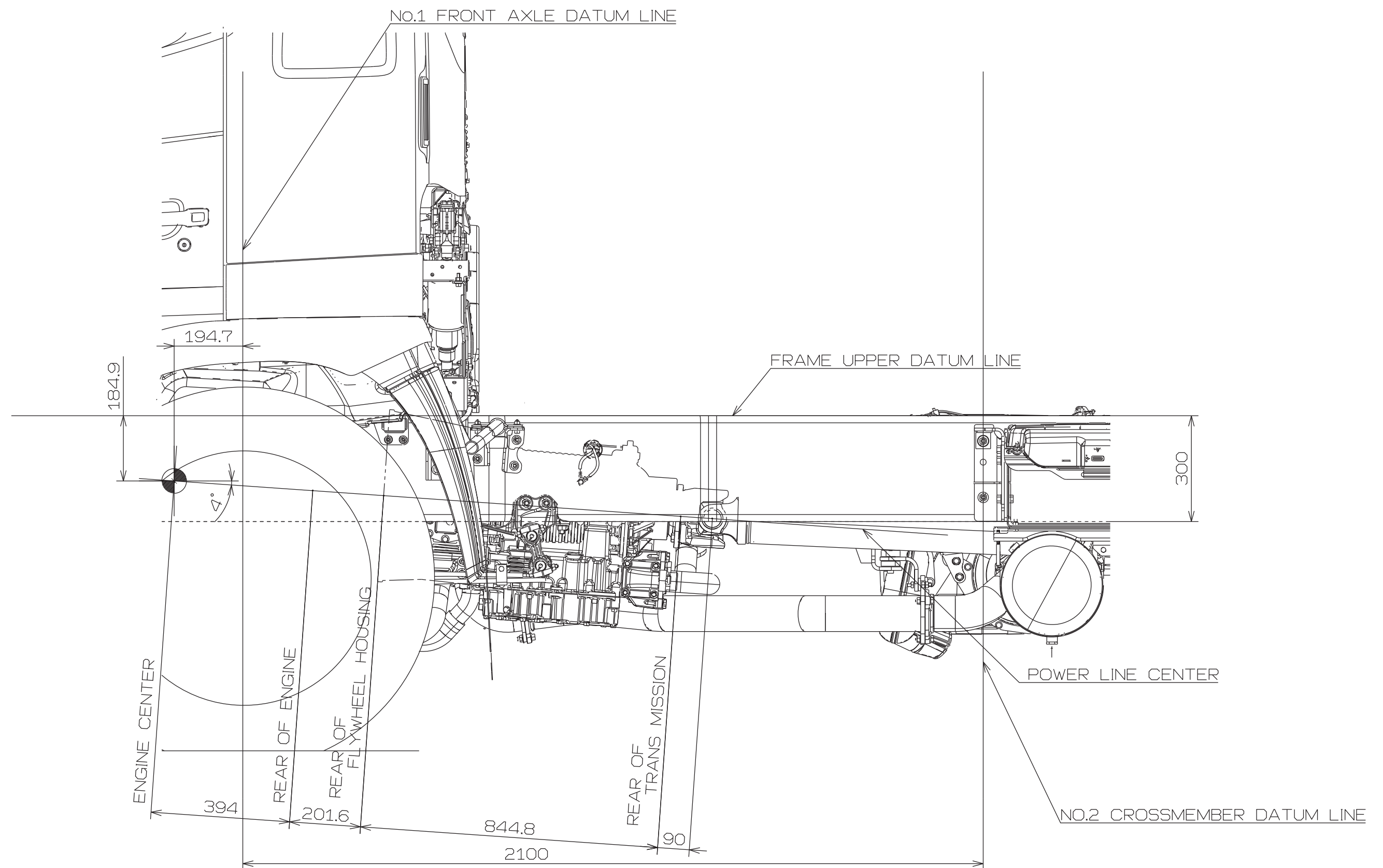


※ Marked "B" to be shown chassis drawing.

No. CB-3

• Left view

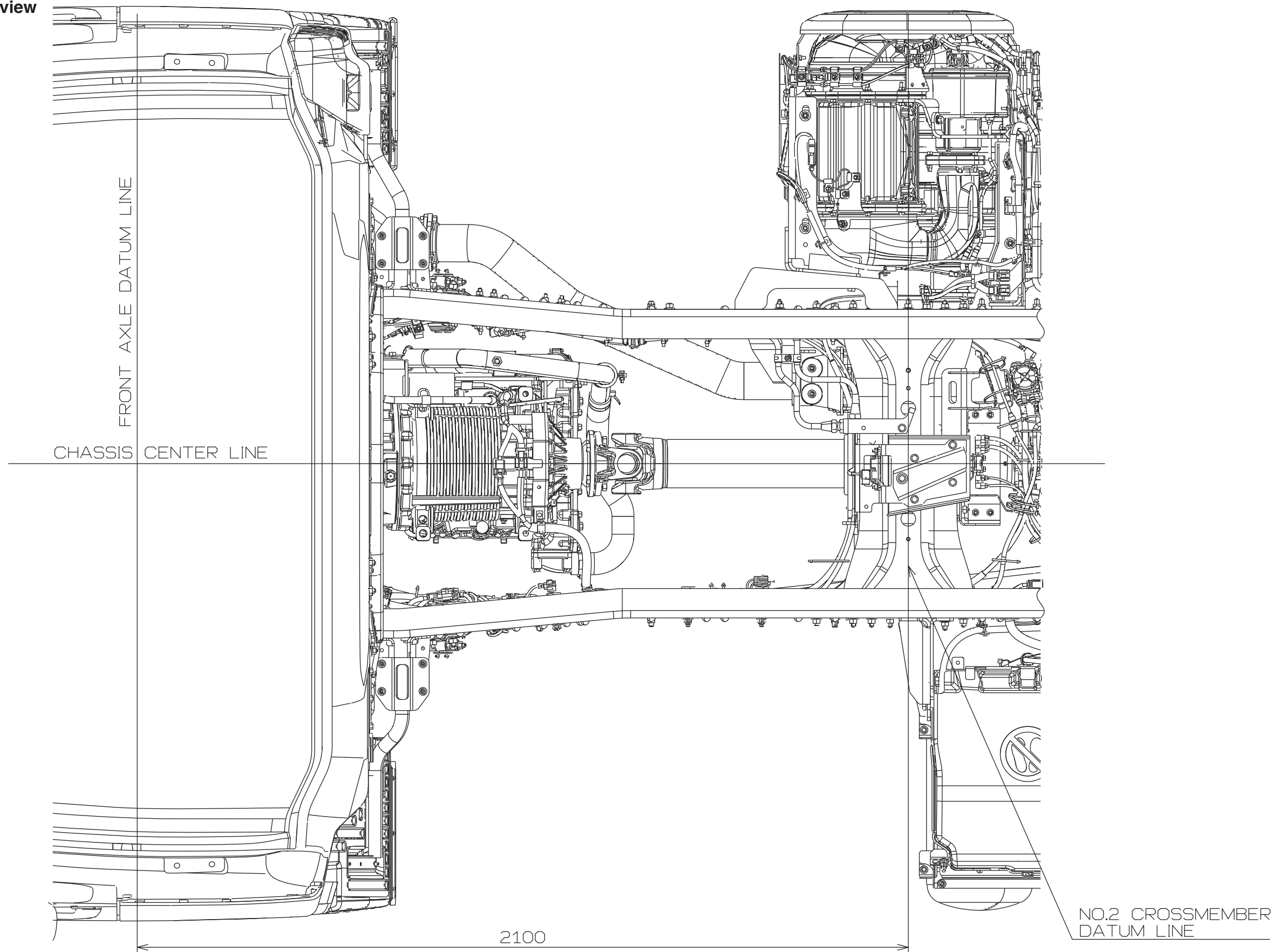
Unit : mm



No. CB-3

• Upper view

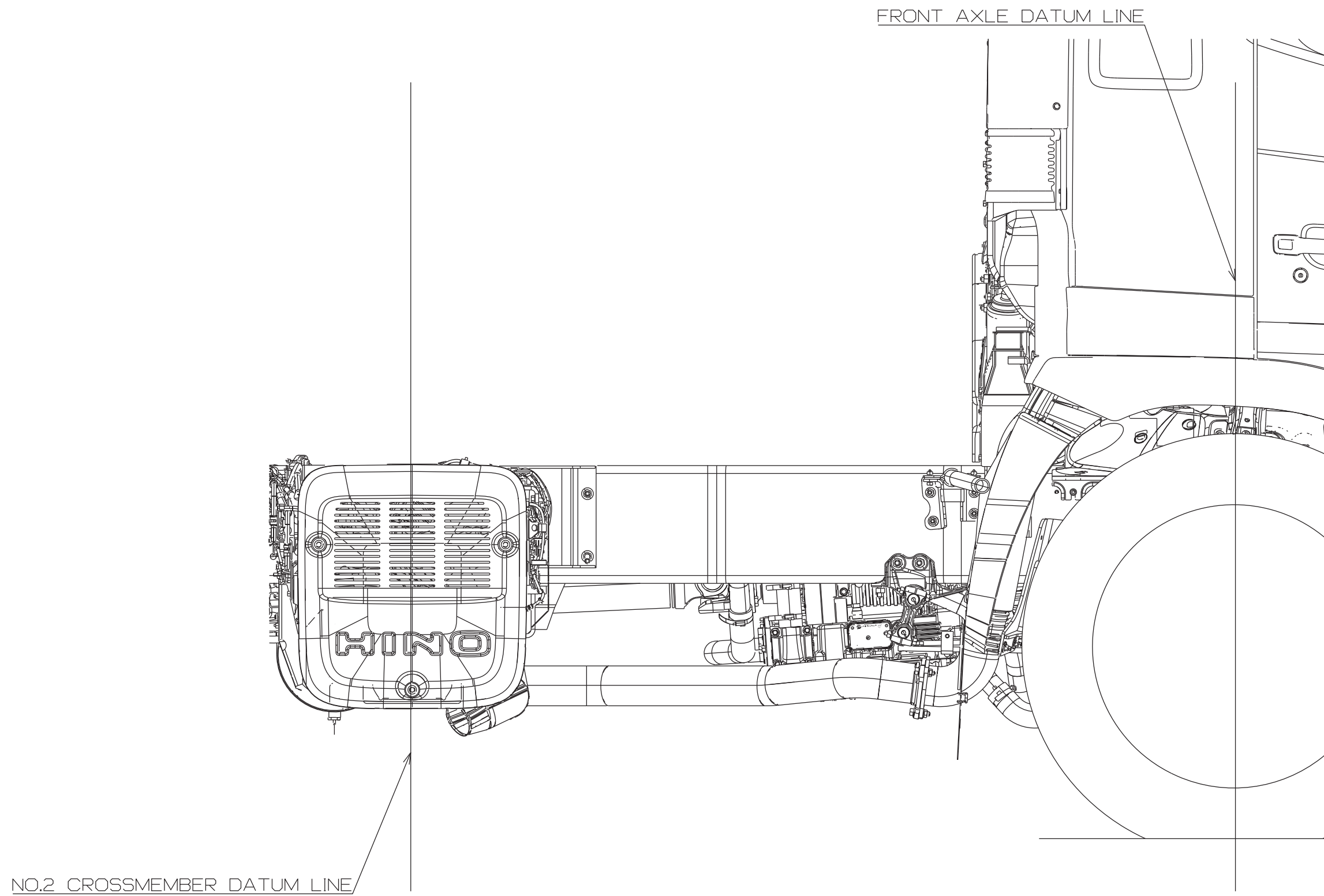
Unit : mm



No. CB-3

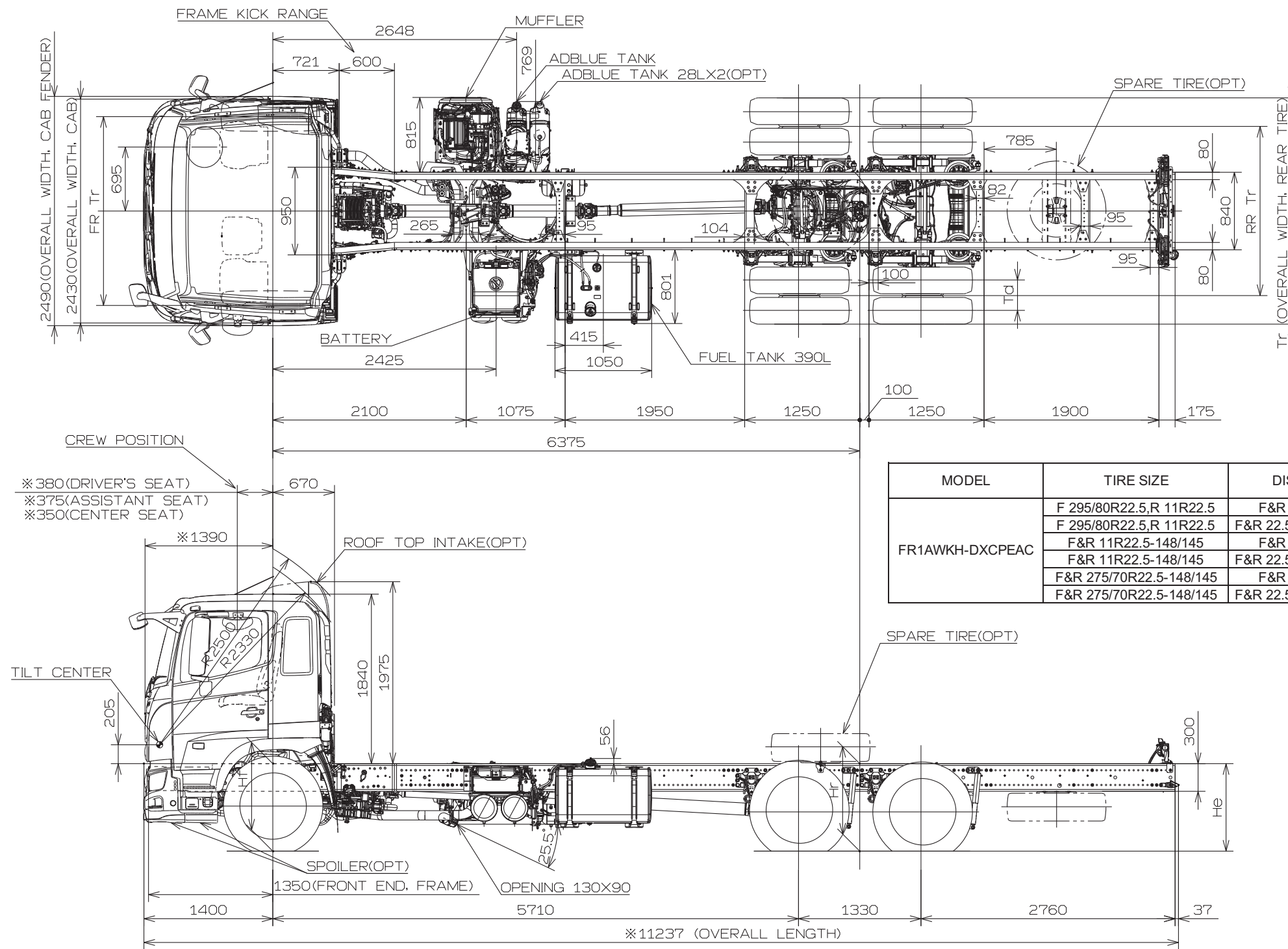
• Right view

Unit : mm



No. CH-3

Unit : mm



MODEL	TIRE SIZE	DISC SIZE	DIMENSIONS(mm)								
			Hf	Hr	He	A	B	FR Tr	RR Tr	Td	Tr
FR1AWKH-DXCPEAC	F 295/80R22.5,R 11R22.5	F&R 22.5X8.25	1019	1042	1054.6	268	247	2050	1835	330	2446
	F 295/80R22.5,R 11R22.5	F&R 22.5X8.25 ALLOY	1019	1042	1054.6	268	247	2070	1855	330	2462
	F&R 11R22.5-148/145	F&R 22.5X8.25	1023	1042	1054.6	272	247	2050	1835	330	2446
	F&R 11R22.5-148/145	F&R 22.5X8.25 ALLOY	1023	1042	1054.6	272	247	2070	1855	330	2462
	F&R 275/70R22.5-148/145	F&R 22.5X8.25	976	996	1100.6	225	201	2050	1835	330	2443
	F&R 275/70R22.5-148/145	F&R 22.5X8.25 ALLOY	976	996	1100.6	225	201	2070	1855	330	2459

NOTE:1.Figures marked"*"dimensions are measured in parallel with the surface of the ground.
 2.The dimension of tire to be mentioned in above table shows design figure according to JATMA or ETRTO standard.