

8

CHASSIS DRAWINGS

Refer to detail of the cab, chassis and chassis frame drawing based on following table.

Chassis Model	Chassis Drawings			
	Cab		Back	Chassis
	Front	Rear		
FH1AHKA-DXCPEAC	CABF-1	CABR-1	CB-1	CH-1
FH1ASKH-DXCPEAC		CABR-2	CB-2	CH-2

Chapter 8

CHASSIS DRAWINGS

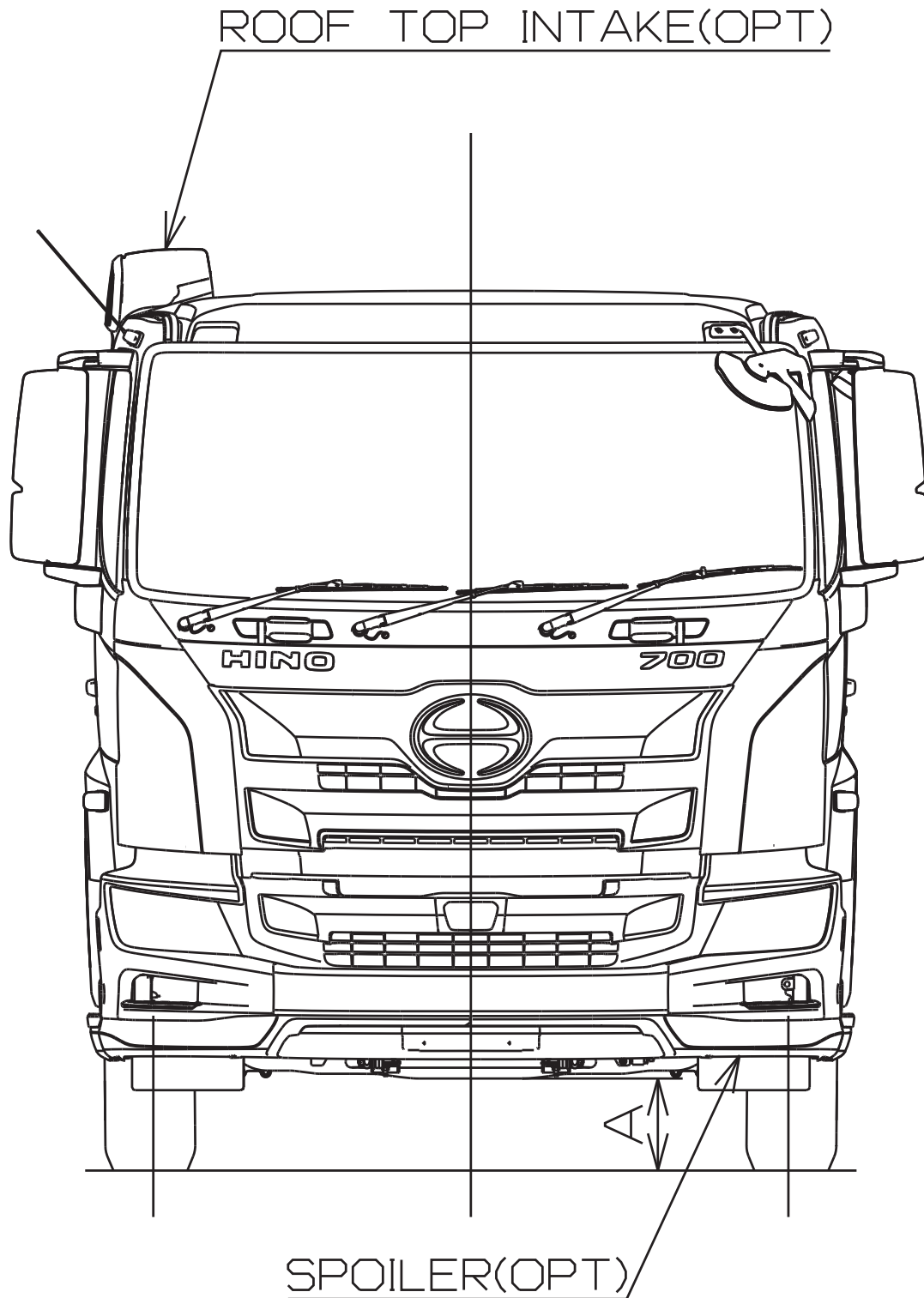
- 1. CAB DRAWINGS**
- 2. CAB BACK DRAWINGS**
- 3. CHASSIS DRAWINGS**
- 4. CHASSIS FRAME DRAWINGS**

1. CAB DRAWINGS

• Front

No. CABF-1

Unit : mm



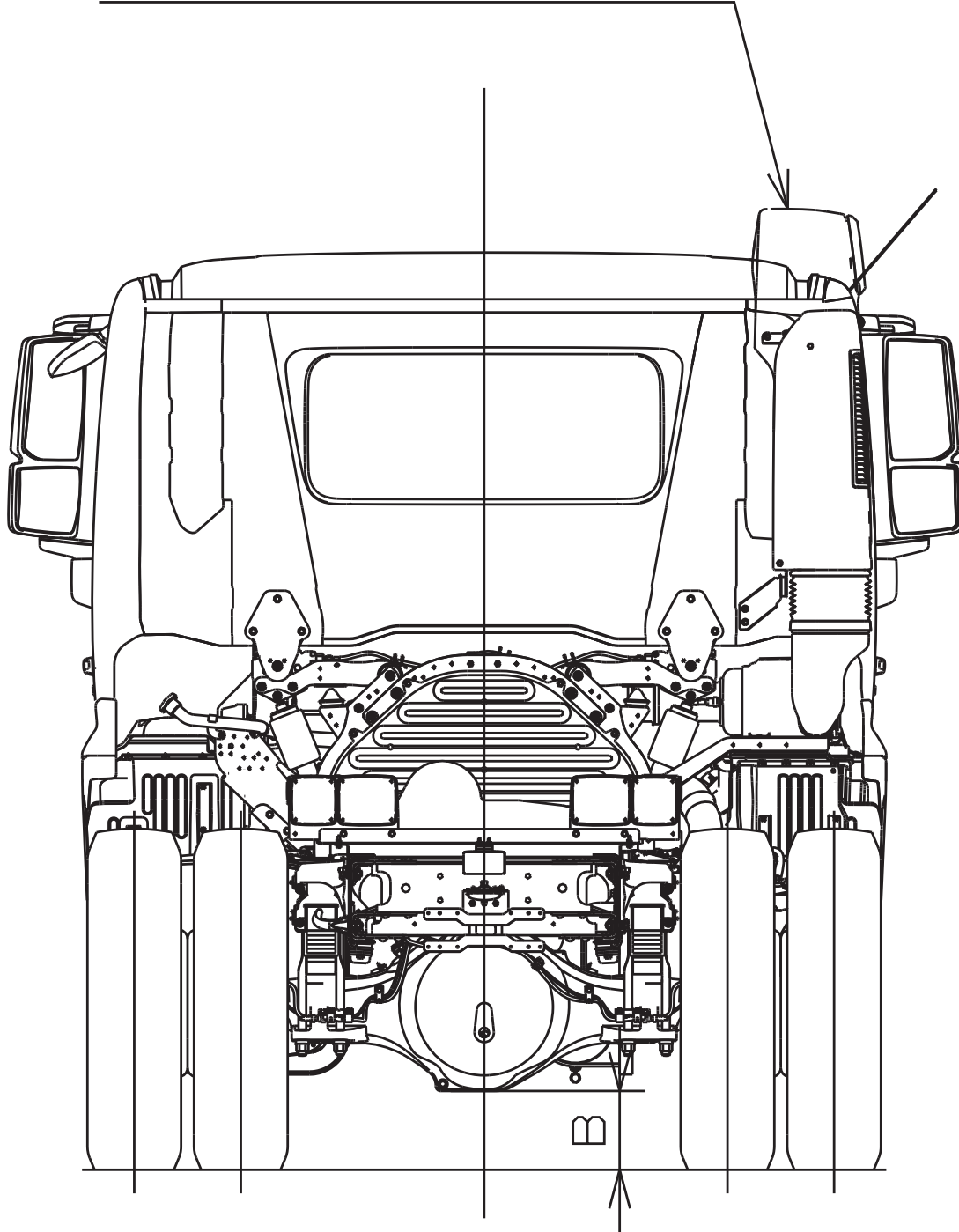
※ Marked "A" to be shown chassis drawing.

• Rear

No. CABR-1

Unit : mm

ROOF TOP INTAKE(OPT)



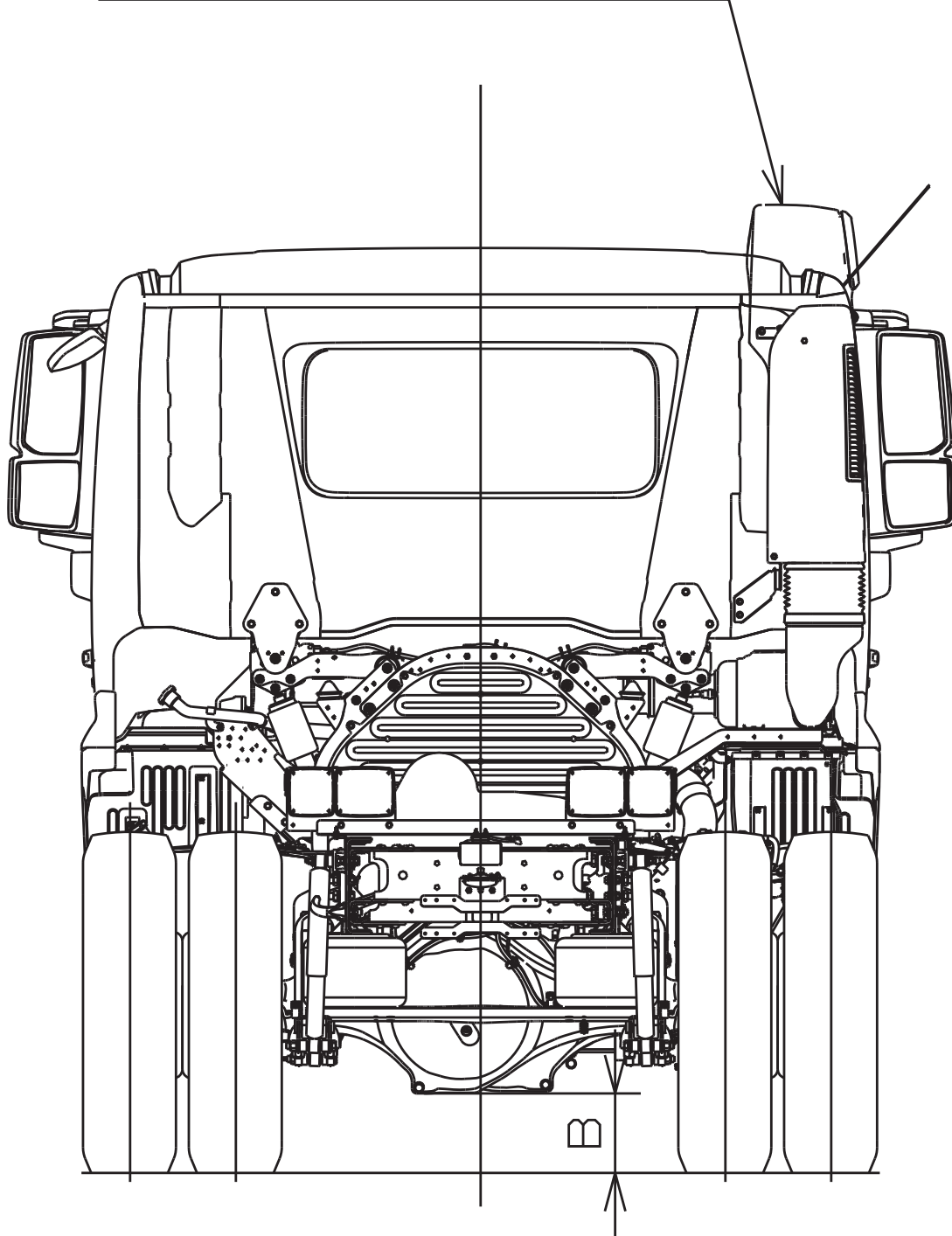
※ Marked "B" to be shown chassis drawing.

• Rear

No. CABR-2

Unit : mm

ROOF TOP INTAKE(OPT)



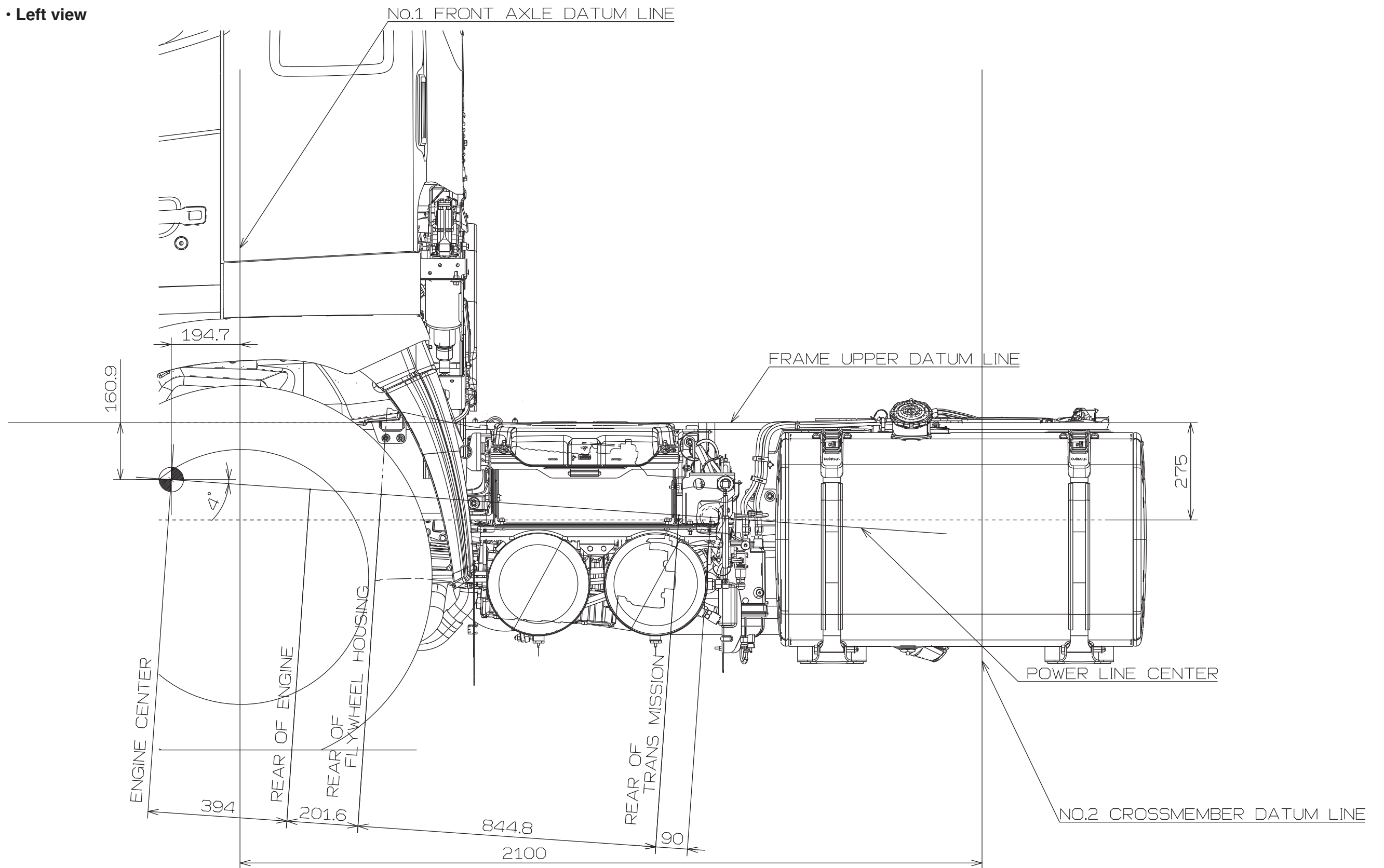
※ Marked "B" to be shown chassis drawing.

2. CAB BACK DRAWINGS

No. CB-1

Unit : mm

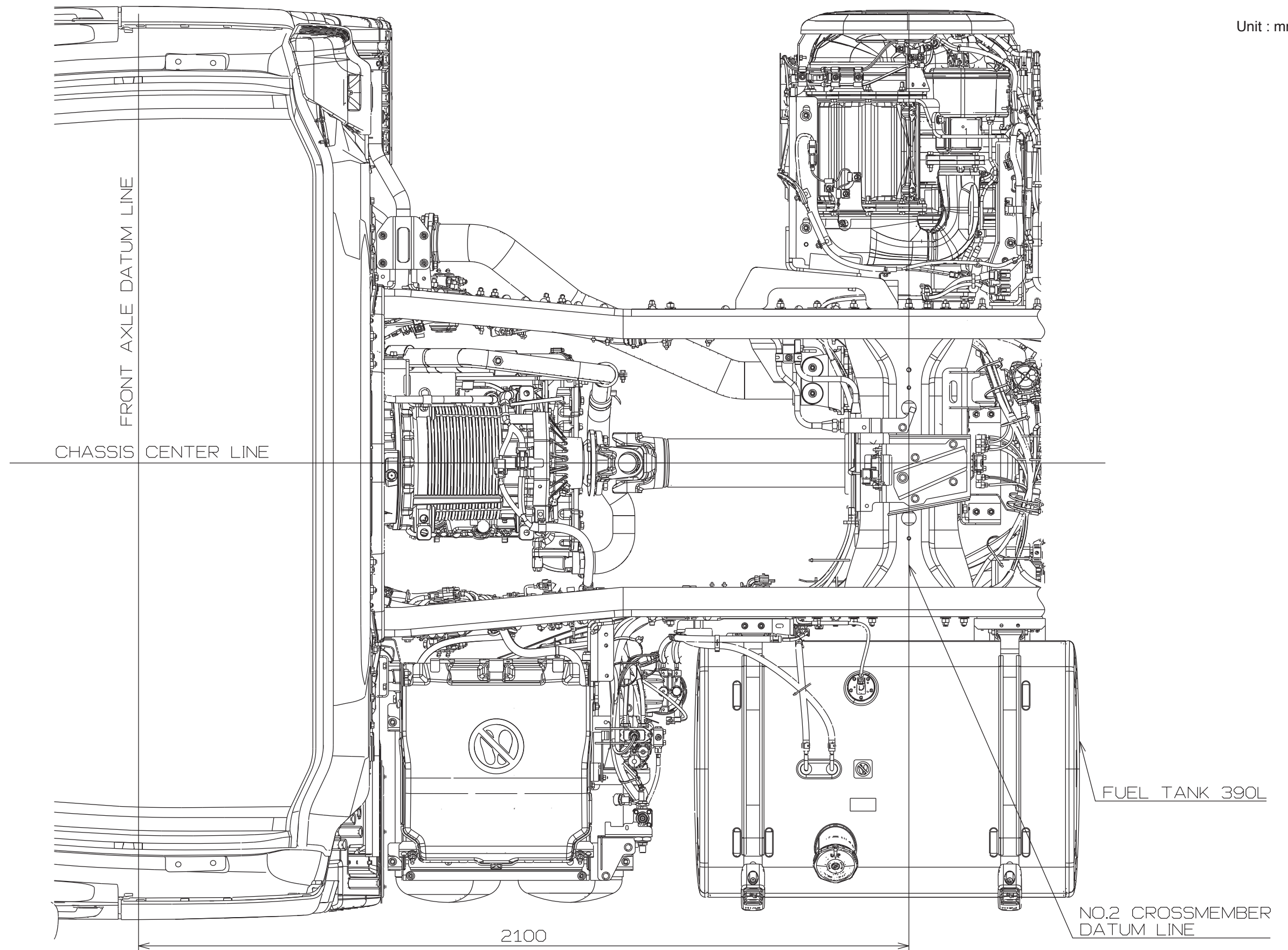
• Left view



No. CB-1

• Upper view

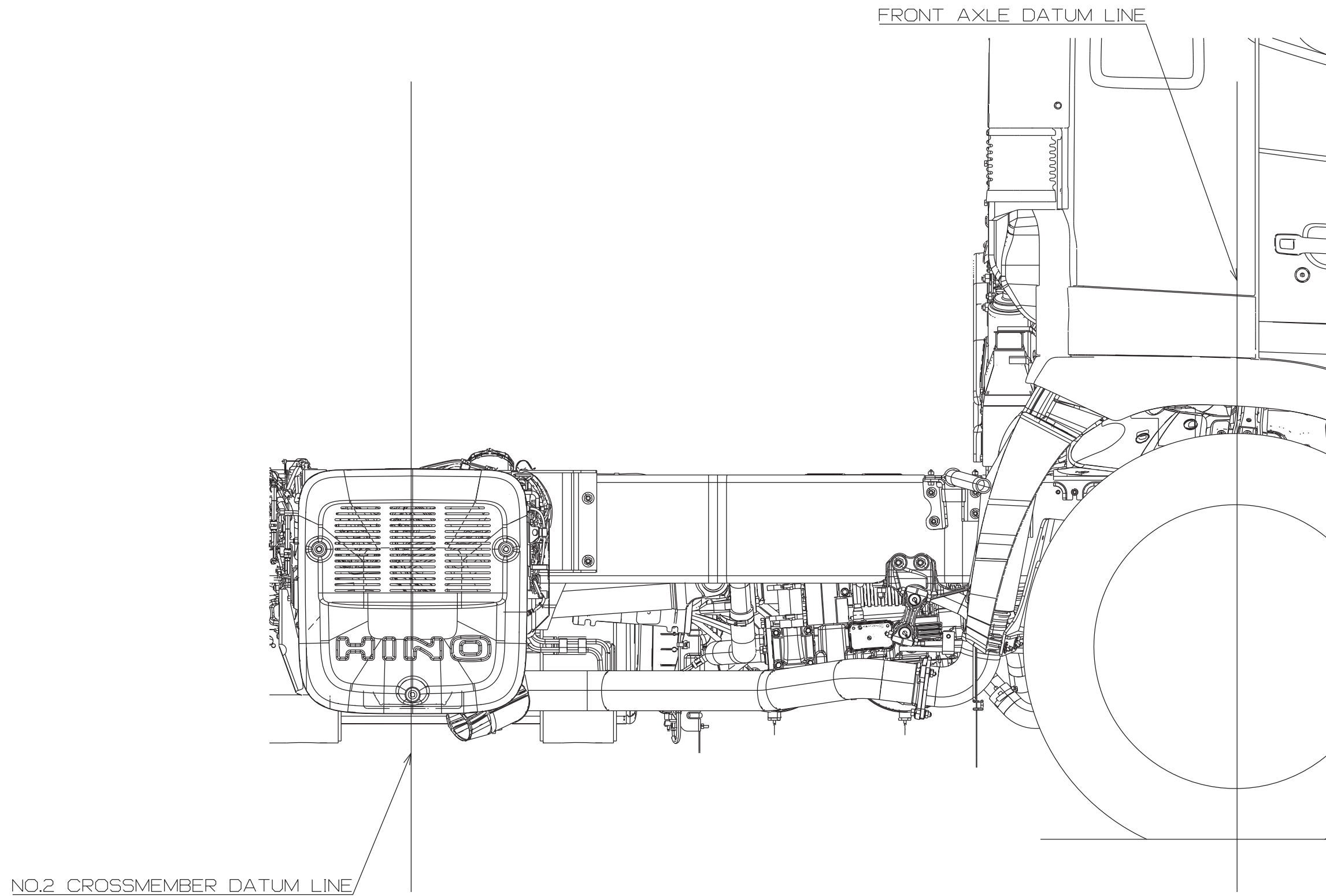
Unit : mm



No. CB-1

• Right view

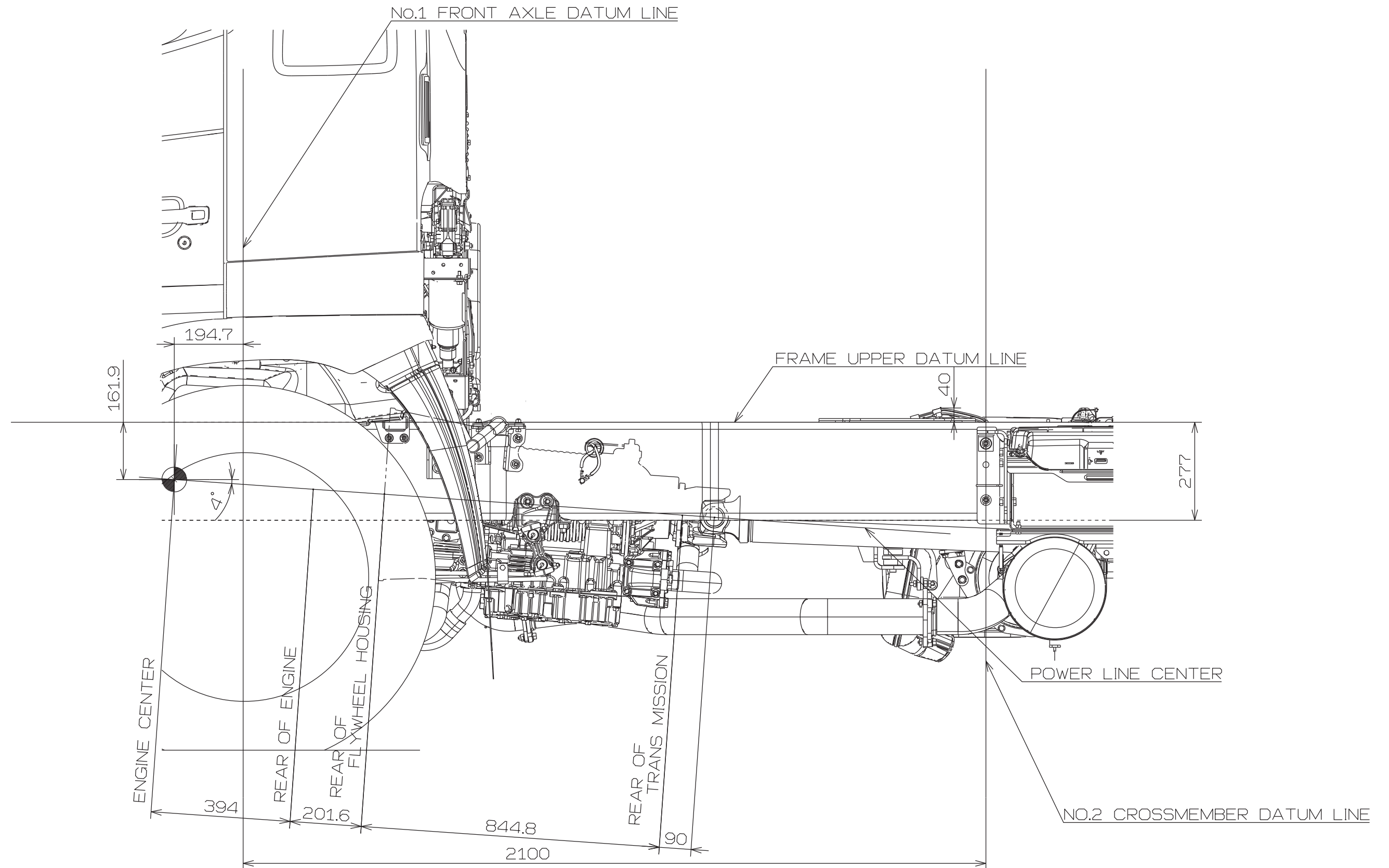
Unit : mm



No. CB-2

• Left view

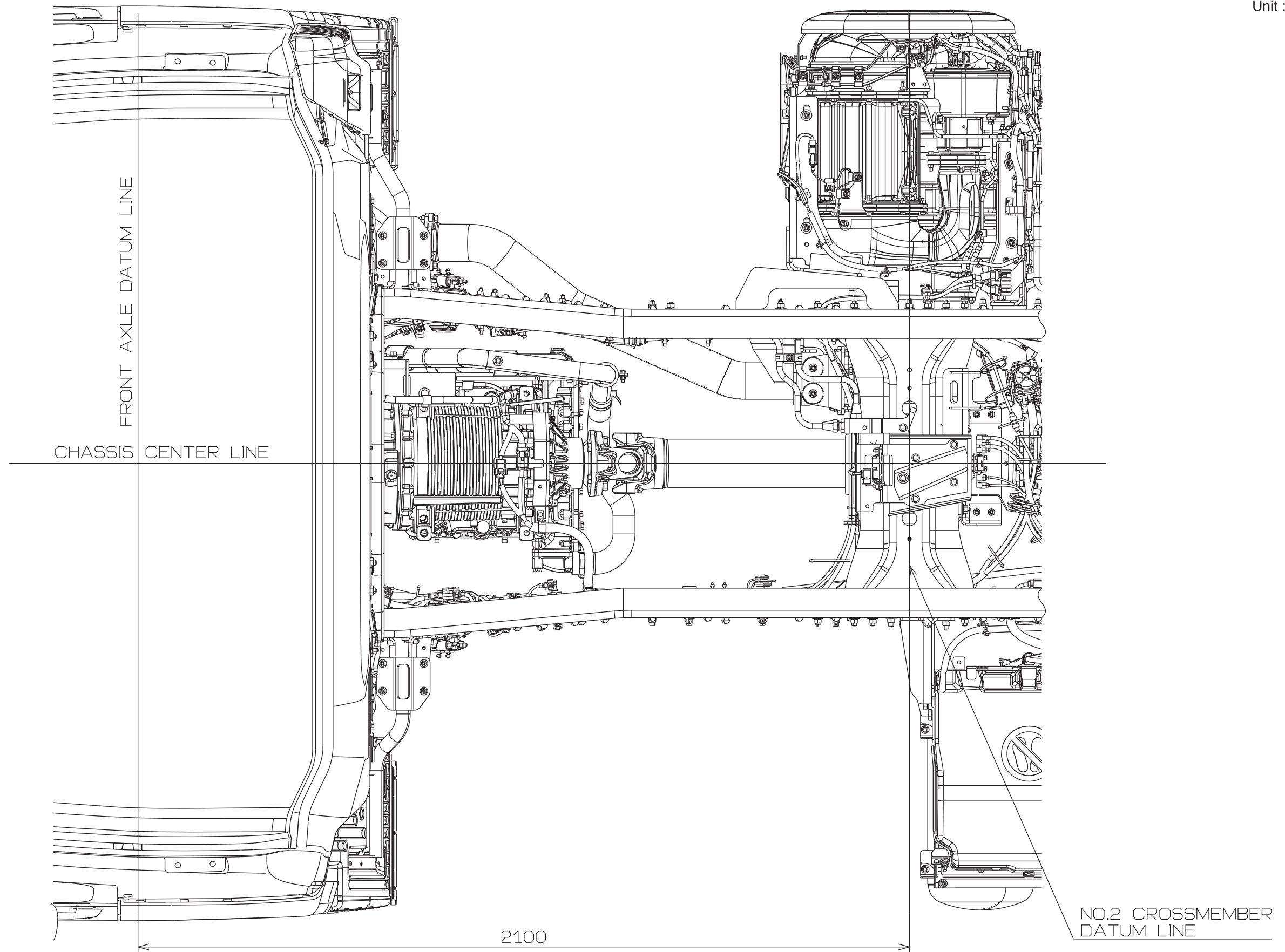
Unit : mm



No. CB-2

• Upper view

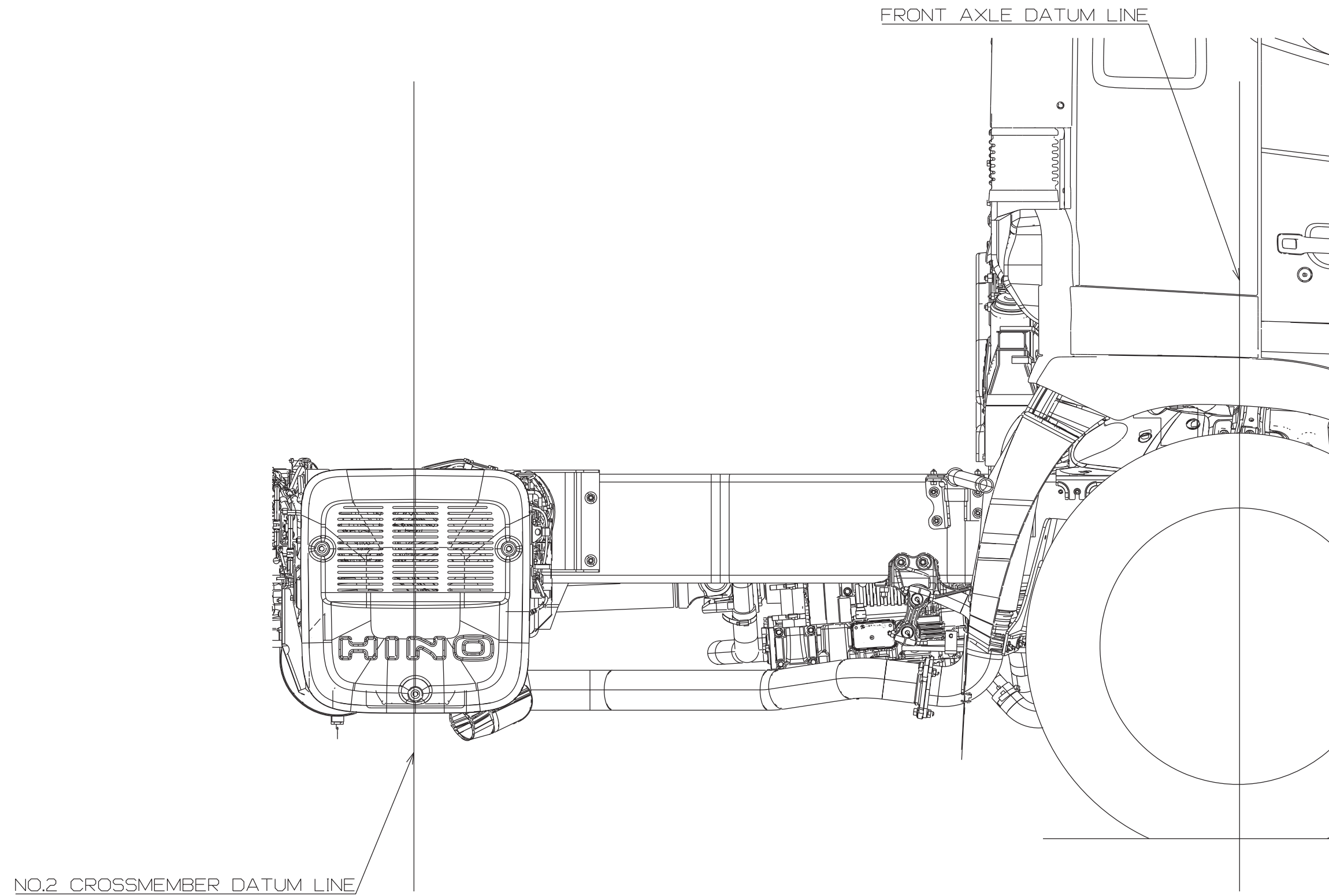
Unit : mm



No. CB-2

• Right view

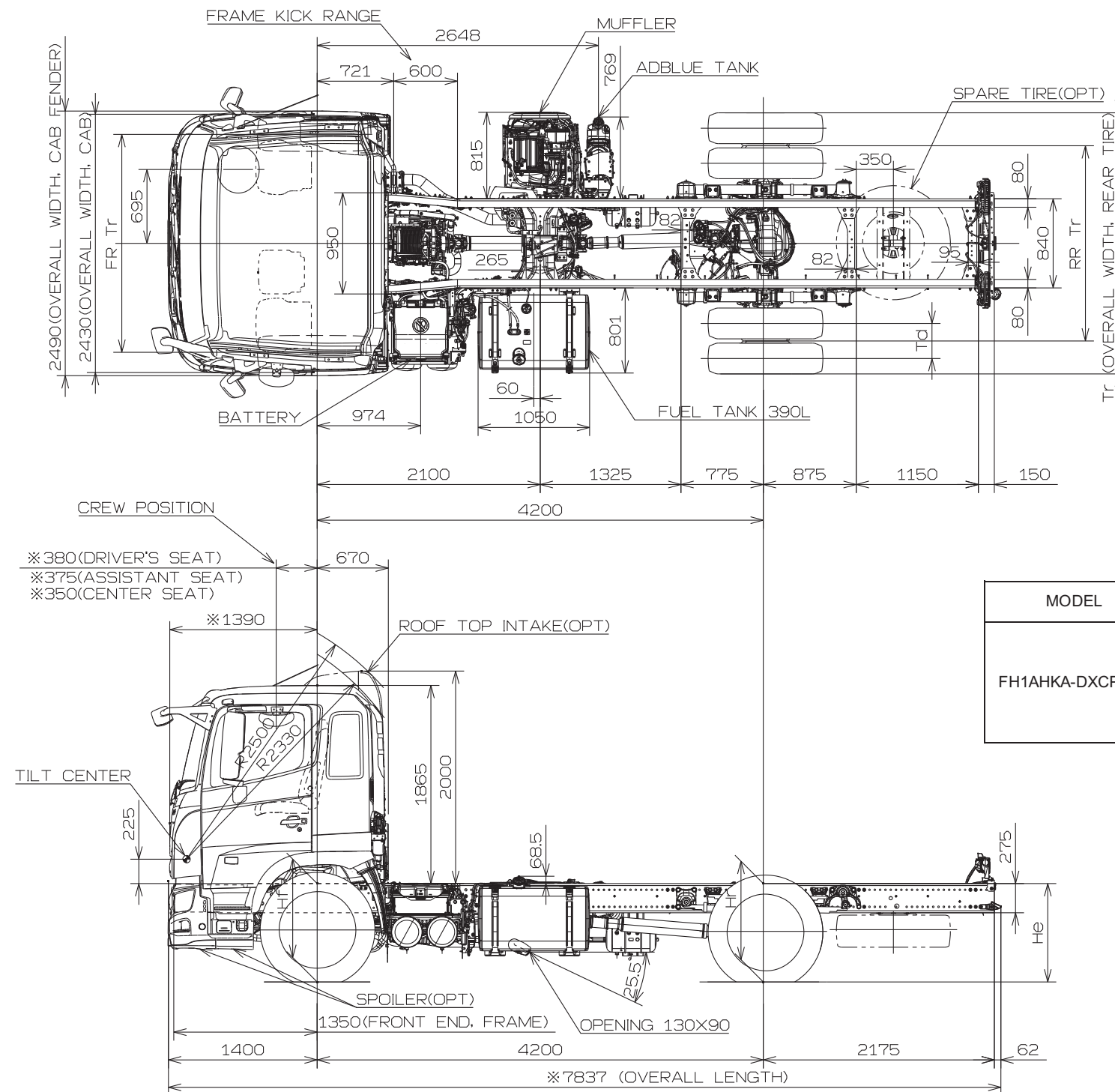
Unit : mm



3. CHASSIS DRAWINGS

Unit : mm

No. CH-1

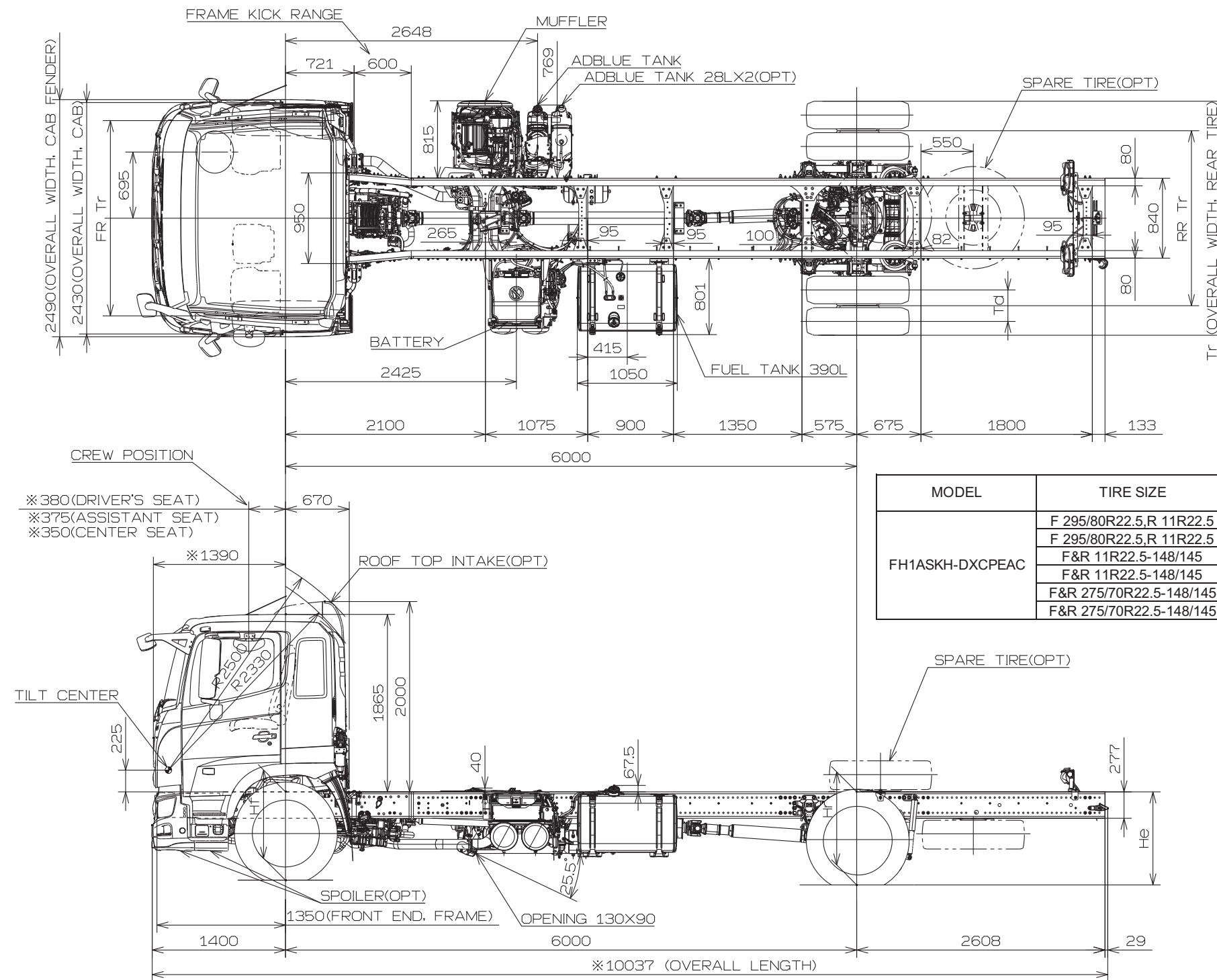


MODEL	TIRE SIZE	DISC SIZE	DIMENSIONS(mm)								
			Hf	Hr	He	A	B	FR Tr	RR Tr	Td	Tr
FH1AHKA-DXCPEAC	F 295/80R22.5,R 11R22.5	F&R 22.5X8.25	988	1108	1171.8	259	244	2050	1835	330	2446
	F 295/80R22.5,R 11R22.5	F&R 22.5X8.25 ALLOY	988	1108	1171.8	259	244	2070	1855	330	2462
	F&R 11R22.5-148/145	F&R 22.5X8.25	992	1108	1171.8	263	244	2050	1835	330	2446
	F&R 11R22.5-148/145	F&R 22.5X8.25 ALLOY	992	1108	1171.8	263	244	2070	1855	330	2462
	F&R 275/70R22.5-148/145	F&R 22.5X8.25	945	1062	1217.8	215	198	2050	1835	330	2443
	F&R 275/70R22.5-148/145	F&R 22.5X8.25 ALLOY	945	1062	1217.8	215	198	2070	1855	330	2459

NOTE:1.Figures marked"*"dimensions are measured in parallel with the surface of the ground.
 2.The dimension of tire to be mentioned in above table shows design figure according to JATMA or ETRTO standard.

No. CH-2

Unit : mm



MODEL	TIRE SIZE	DISC SIZE	DIMENSIONS(mm)								
			Hf	Hr	He	A	B	FR Tr	RR Tr	Td	Tr
FH1ASKH-DXCPEAC	F 295/80R22.5,R 11R22.5	F&R 22.5X8.25	987	1028	1045.1	258	247	2050	1835	330	2446
	F 295/80R22.5,R 11R22.5	F&R 22.5X8.25 ALLOY	987	1028	1045.1	258	247	2070	1855	330	2462
	F&R 11R22.5-148/145	F&R 22.5X8.25	991	1028	1045.1	262	247	2050	1835	330	2446
	F&R 11R22.5-148/145	F&R 22.5X8.25 ALLOY	991	1028	1045.1	262	247	2070	1855	330	2462
	F&R 275/70R22.5-148/145	F&R 22.5X8.25	944	982	1091.1	215	201	2050	1835	330	2443
	F&R 275/70R22.5-148/145	F&R 22.5X8.25 ALLOY	944	982	1091.1	215	201	2070	1855	330	2459

NOTE:1.Figures marked"*"dimensions are measured in parallel with the surface of the ground.
 2.The dimension of tire to be mentioned in above table shows design figure according to JATMA or ETRTO standard.