



700 SERIES

FS 2848 AMT LEAF/AIR



*Overseas model pictured.
May contain items not standard to the NZ model.

Euro 6
Emissions Standard

6 x 4 Cab Chassis

KEY FEATURES

- | | |
|--|--|
| ✓ Engine Retarder Brake (Jake Brake) | ✓ Euro 6 Emissions Standard |
| ✓ ISRI NTSC2 Driver's Seat with integrated safety belt | ✓ Hino SmartSafe incl. PCS, VSC, ABS, EBS, ASR, LDWS, & Driver Monitor |
| ✓ Inter-Axle Differential & Cross Locks | ✓ Adaptive Cruise Control |
| ✓ Transmission Intarder | ✓ Polished Alcoa Alloy Wheels |
| ✓ ECE-R29 Cab Strength Certified | ✓ Easy Start Hill Assist (ES) |

KEY SPECIFICATIONS

GVM	28,300 or 18,000kg
GCM	63,000kg
Power	480hp / 353kW
Torque	2,157Nm
Transmission	16 Speed AMT TraXon
Wheelbase	4.28m, 4.58m

ENGINE

Model	HINO E13C-BK
Max. Output (ISO NET)	480hp / 353kW @ 1,600-1,800 RPM
Max. Output (JIS GROSS)	490hp / 360kW @ 1,600-1,800 RPM
Max. Torque (ISO NET)	2,157Nm @ 1,000-1,500 RPM
Max. Engine RPM	2,200 RPM
Engine Compliance	Euro 6
Type	Diesel, turbocharged & intercooled, 6 cylinder inline, 4 cycle, overhead camshaft, watercooled
Combustion System	Direct injection
Bore & Stroke	137 x 146mm
Piston Displacement	12.913L
Compression Ratio	17.0:1
Fuel Injection	Electronic control common rail
Air Compressor / Bore & Stroke	2 cylinder bore & stroke, 86 x 54mm
Air Cleaner	Stack type, paper elements
Exhaust	Downward exhausting short type
Emission Control System	DPR, EGR, & SCR (AdBlue®)
Engine Immobiliser	Equipped

PERFORMANCE

Calculations based on 63,000kg GCM with 11R22.5 tyres

Engine RPM @ 100km/h	1,670
Max. Theoretical Speed (km/h)	132
Gradeability Tan (%) @ GVM	38.1

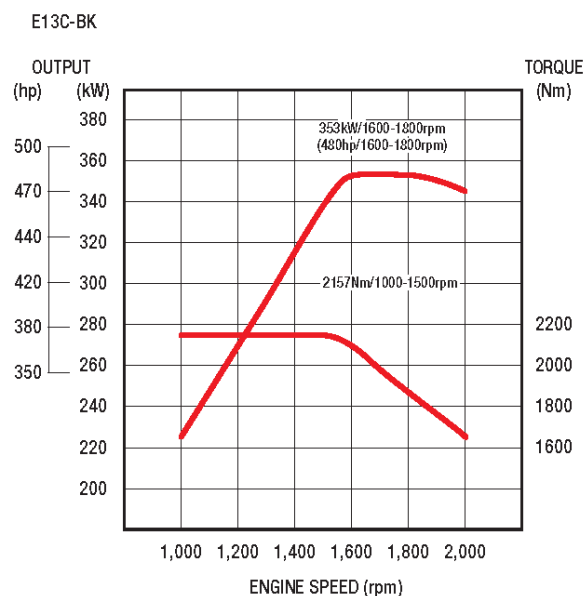
BRAKES

Type	Full air, taper roller, leading & trailing shoes (drum)	
Control	Dual circuit	
Drum Diameter x Lining Width	Front	406.4 x 152mm
	Rear	406.4 x 216mm
Air Dryer	Equipped	
Auto Brake Shoe Adjuster	Equipped	
Electronic Brake System (EBS)	Equipped	
Anti-Lock Brake System (ABS)	Equipped	
Anti-Slip Regulation (ASR)	Equipped	
Engine Brake (Jake Brake)	Equipped	
Retarder Brake	ZF Intarder IT3	
Brake Sync	Brake pedal activated engine brake	
Easy Start Hill Assist (ES)	Equipped	
Trailer Brake Controls & Connection	Equipped	

STEERING

Type	Telescopic tilt steering column, recirculating ball, integral power steering	
Gear Ratio	Variable	
Steering Angles	Inner - 49°	Outer - 34°

POWER & TORQUE CHART (ISO NET) E13C-BK



TRANSMISSION & GEAR RATIOS

Make & Description	ZF 16 TX TraXon 2440 T0 with Intarder			
Type	16 Speed AMT with Overdrive			
Shifter Type	Dash mounted rotary switch with column mounted sequential shifter			
Gear Ratios	1	14.682	9	3.216
	2	12.048	10	2.639
	3	9.919	11	2.173
	4	8.139	12	1.783
	5	6.780	13	1.485
	6	5.564	14	1.219
	7	4.565	15	1.000
	8	3.746	16	0.821
	Reverse 1	14.138	Reverse 2	11.602
Final Drive Ratio	3.9:1			

CLUTCH

Model	DFS-430
Type	Dry single plate with damper springs
Clutch Plate	Mold type (non-asbestos)
Control	Mechanical Auto

FUEL TANK & SUPPLY

Material	Alloy
Fuel Capacity	390L
Lockable Fuel Cap	Equipped
Prefilter & Sedimenter	Equipped
AdBlue® Capacity	28L

SAFETY FEATURES

Active Safety Features - HINO SmartSafe

Vehicle Stability Control (VSC)	Equipped
Anti-Lock Brake System (ABS)	Equipped
Electronic Control Braking System (EBS)	Equipped
Pre-Collision System (PCS)	Equipped
PCS is inclusive of	Safety Eye (SE) Autonomous Emergency Braking (AEB) Pedestrian Detection (PD)
Driver Monitor (DM)	Equipped
Lane Departure Warning System (LDWS)	Equipped
Anti-Slip Regulation (ASR)	Equipped
Auto Brake Shoe Adjuster	Equipped
Engine Retarder (Jake Brake)	Equipped
Adaptive Cruise Control (ACC)	Equipped
Reverse Buzzer & Camera (RC)	Equipped
Easy Start Hill Assist (ES)	Equipped
Passive Safety Features	
SRS Airbag	Equipped (for driver)
SRS Seat Belt Pretensioner	Equipped (for driver)
Front Underrun Protection Device (FUPD)	Equipped
ECE-R29 Cab Strength Certified	Equipped

AXLE, SUSPENSION & LOAD LIMITS

Front	Front Axle Model	MF781R	
	Front Axle Type	Reversed Elliot I Section Beam	
	Front Suspension Type	Taper leaf springs with stabiliser	
	Axle Limit (incl. Suspension)	7,500	
Rear	Rear Axle Model	THD 17	
	Inter-Axle Differential Lock	Equipped	
	Differential Cross Lock	Equipped	
	Rear Axle Type	Tandem drive with inter-axle differential & cross locks, full-floating single reduction, single-speed by hypoid	
	Model Variant	FS 2848 LEAF	FS 2848 AIR
	Rear Suspension Type	Hino 6-Rod with taper leaf springs	Hendrickson HAS 460 Air with ECAS
Axle Limit (incl. Suspension)	21,000kg		

ELECTRICAL

Type	24V negative earth	
Batteries	2 x 12V 150Ah 145G51	
Alternator Capacity	24V x 90A	
Starter Type	24V x 6.0kW	
Auto On/Off Headlamps	Low Beam: LED	High Beam: Halogen
Daytime Running Lamps (DRLs)	LED	
Cornering Lamps	Equipped	

CAB DETAILS

Type	Forward control, all steel, welded construction, fully floating air suspended with electro-hydraulic power tilt
Grille Colour	Chrome
Seating Capacity	2
Driver's Seat	ISRI 6860/870 NTSC2, 7-way adjustable
Side Passenger Seat	High-back, reclining seat with fabric cover
Seat Belts	Driver: 3-point pretensioner Passenger: 3-point type
Sunvisor & Overhead Console	Equipped
Windscreen Wipers	Triple arm wiper with intermittent & variable controls
Windscreen Glass	Heat-absorbing laminated glass
Cab Heater & Air Conditioner	Equipped
Auxiliary Power Supply	12V x 120W socket and USB 2.1A
External Rear-View Mirrors	2 flat type, electric and heated
	2 convex spotters and blind spotters
	LHS and front kerb view mirrors
Central Locking & Keyless Entry	Equipped
Cab Storage Pockets	Equipped
Power Windows	Equipped
Foot Rest	Equipped
Cup Holders	Centre tray and door pockets
Multimedia System	6.5" LCD, HD touch screen display with DAB+ AM/FM radio, AUX input, Bluetooth® 4.1, Android 6.0, CAN bus connected, and Wi-Fi enabled

INSTRUMENTATION

LCD Display	Meters & Gauges
✓ Date, Day, & Time	✓ Speedometer
✓ Temperature Gauge	✓ Tachometer
✓ Fuel & AdBlue® Gauges	✓ Air Gauges
✓ Odometer & Hour Meter	Additional Switches & Controls
✓ Battery Warning	✓ VSC, PCS, & LDWS Off
Multi Information Display (MID)	✓ Air Con Controls
✓ General Information	✓ ECAS Height Control (Air Susp Model)
✓ Safety Feature Settings	✓ Inter-Axle Differential & Cross Locks
✓ Cruise Control	✓ Brake Sync
✓ Eco Tree	✓ Shift Selector
✓ Display Settings	✓ Idle Up
✓ System Check	✓ Quick Warm Up
Steering Wheel & Column Controls	✓ DPR Regeneration
✓ Cruise Control	✓ ECO Run
✓ MID Controls	✓ ES Control
✓ Headlights, Indicators, Window Wipers	✓ Powered Mirror Control & Heater
✓ Sequential Transmission Lever	✓ Electronic Window Lock Out
✓ Engine Braking Control	✓ Headlight Leveller
✓ Handsfree Phone	✓ Hazard Lights

HINO 700 SERIES - FS 2848 AMT LEAF/AIR

WHEELS & TYRES

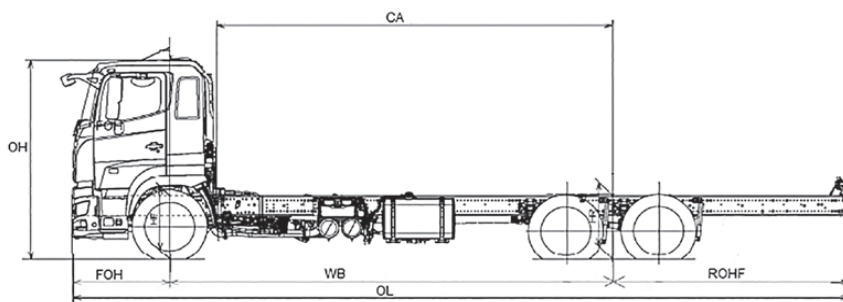
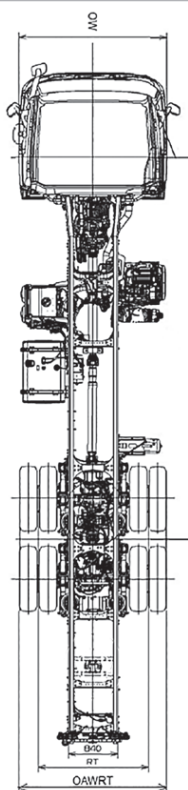
Wheel Type	Alcoa Alloy 10–stud (ISO 335 PCD)
Rim Size	8.25 x 22.5 (wide single 11.75 x 22.5 optional)
Tyre Size – Leaf	11R22.5 (275/70R22.5 152/148 optional)
Tyre Size – Air	275/70R22.5 152/148 (11R22.5 optional)
Tyre Size – 4575 (Front)	295/80R22.5
Tyre Size – 4575 (Rear)	11R22.5
Number of Tyres	10

CHASSIS FRAME

Main Section (depth x flange x thickness)	302 x 80 x 9.0mm
Chassis Width	840mm
Tensile Strength	620 N/mm ² (63 kgf/mm ²)
Tow Hook (Front & Rear)	Equipped
Type	Ladder–shaped channel section side rails

DIMENSIONS (MM)

Model	FS1ELKA-FSAPEAC	FS1ELKH-FSAPEAC	FS1EMKH-FSAPEAC
Product Code	FS 2848 AMT LEAF 4275	FS 2848 AMT AIR 4275	FS 2848 AMT AIR 4575
Suspension	Leaf		Air
Wheelbase (WB)	4,275		4,575
Overall Length (OL)	7,635		7,935
Overall Width (OW)	2,490		
Overall Height (OH)	3,015		
Cab to Axle Centre (CA)	3,615		3,915
Front Overhang (FOH)	1,400		
Rear Overhang (ROH)	1,960	1,947	
Front Chassis Height (FCH)	1,005		
Rear Chassis Height (RCH)	1,070	1,055	
Front Track (FT)	2,050		
Rear Track (RT)	1,855		
Road Clearance (RC)	245	240	
Kerb to Kerb	15,800		16,800
Wall to Wall	17,600		18,600
Indicative Chassis Mass (kg) – with 10L of fuel, no tools or spare tyre, and subject to a ±3% tolerance			
Total	8,085	7,895	8,140
Front	4,755	4,755	4,911
Rear	3,330	3,140	3,229
GVM	28,300 or 18,000		
GCM	63,000		



Drawings are for reference only to the table. For specific chassis layouts and dimensions, please refer to Body Mounting Manual drawings.

WARRANTY (PLEASE REFER TO HDL WARRANTY CONDITIONS)

Standard Warranty

24 months or 250,000kms
(whichever comes first)

Engine & Powerlines

36 months or 250,000kms
(whichever comes first)

DISCLAIMER

Hino Trucks are distributed in New Zealand by Hino Distributors (NZ) Ltd.

All efforts have been made to ensure the information contained in this brochure was correct at time of printing or uploading. Hino Distributors (NZ) Ltd reserves the right to alter any details of the specifications and equipment without notice. Hino in so far as it is permitted by law to do so, shall not be liable in any way as a result of any reliance placed by any person on anything contained in this brochure. You should therefore check with your authorised Hino dealer at the time of ordering your motor vehicle to ensure that colour, specifications, equipment, design features and options are available for the vehicle you are ordering. Please note that some options may only be available in combination with others. Authorised Hino dealers will on request provide up to date information on all accessories, design features, prices and availability.